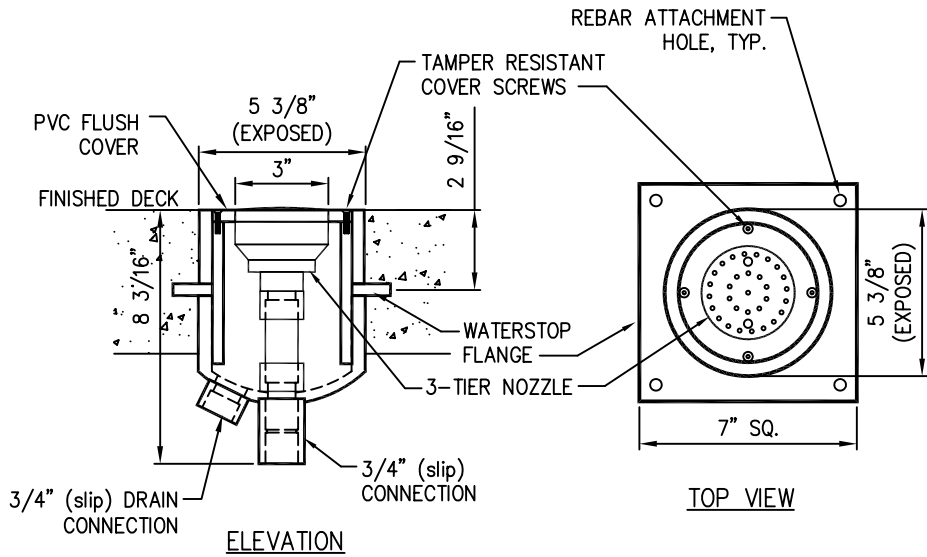


**NOTE:**  
Due to our continuing product improvement program, Roman Fountains reserved the right to change the specifications without notice.



**OPERATING DATA:**  
 NOISE: \_\_\_\_\_ Medium  
 VISIBILITY: \_\_\_\_\_ Low to Medium  
 SPLASH/MIST: \_\_\_\_\_ High  
 WIND STABILITY: \_\_\_\_\_ Low  
 AERATION QUALITY: \_\_\_\_\_ Low

TECHNICAL DATA							
MODEL No.	PVC SUPPLY CONN.	ORIFICE SIZE AND NUMBER	SPRAY HEIGHT	PERFORMANCE			
				3'	4'	5'	6'
RTT-075-FJ	3/4" (SLIP)	30 STREAMS @ 1/8" 1 STREAM @ 5/32"	GPM HEAD SPREAD	11 7' 25"	14 10' 36"	18 12' 60"	21 28' 77"

**NOTE:** Fine screening at pump to minimize nozzle clogging is recommended.


- COVER PLATE OPTIONS:**
- BRUSHED BRASS
  - BRUSHED STAINLESS STEEL
- POWDER COATED COVERS IN VARIOUS COLORS AVAILABLE, CONSULT FACTORY

**SPECIFICATION DATA:** Flush Mounted Three-Tier Nozzle; constructed of high strength Sch. 80 thermoplastic niche body with waterstop key flange, rebar attachment holes, circular Crown Jet nozzle, flush PVC cover plate with tamper resistant stainless steel cover fasteners, 3/4" PVC (slip) supply connection and 3/4" (slip) drain connection.

**DESIGN/APPLICATION DATA:** RTT-Series nozzles produce a three-tier spray pattern using precision openings, machined concentrically on the nozzle head.

© COPYRIGHT 2010 ROMAN FOUNTAINS  
ALL RIGHTS RESERVED

TYP. ( ) ITEM # \_\_\_\_\_

 <b>roman fountains</b> <sup>SM</sup> <i>America's Fountain Company!</i>	<b>ROMAN FOUNTAINS CORP.</b> P.O. Drawer 10190 Albuquerque, N.M. 87184 Phone #: (800) 794-1801 Fax #: (505) 343-8086 <a href="http://www.romanfountains.com">http://www.romanfountains.com</a>	Revisions:			<b>Flush Mount</b> <b>Three-Tier Nozzle</b>	
		No.	Date	By		
		6	01/31/08	FG	Checked By: J.M.	<b>RTT-075-FJ</b> Drawing No. <b>1.34</b>
		7	01/31/10	FG	Scale: None	
					Date: 05/10/99	