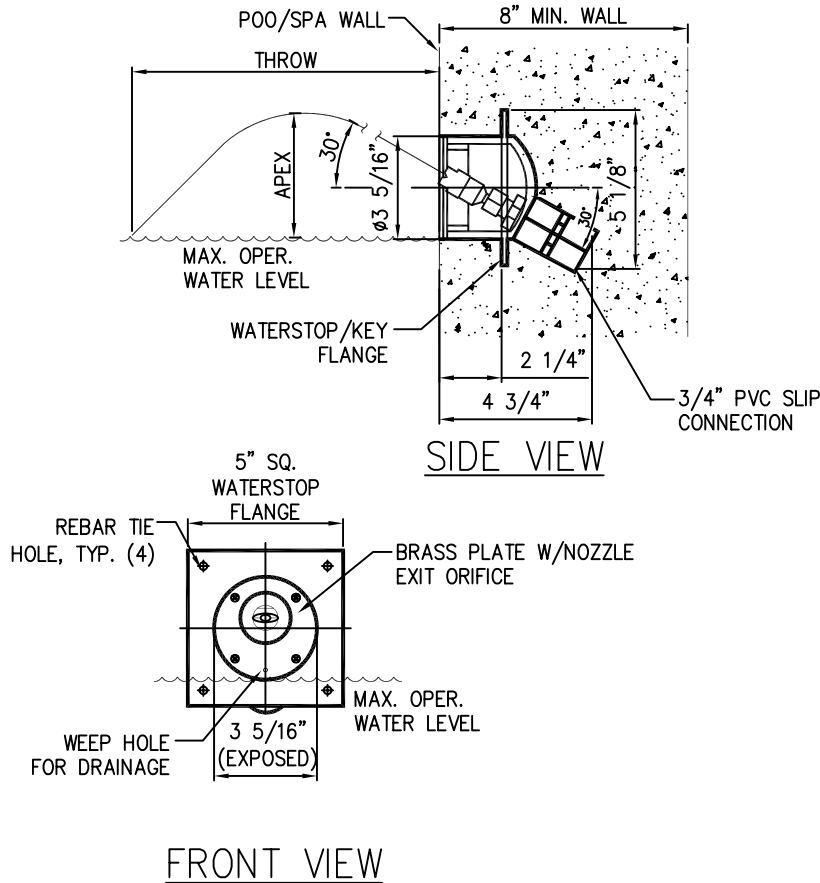


NOTE:
Due to our continuing product improvement program, Roman Fountains reserved the right to change the specifications without notice.



OPERATING DATA:

NOISE: _____ Low
 VISIBILITY: _____ Low
 SPLASH/MIST: _____ Medium
 WIND STABILITY: _____ Low
 AERATION QUALITY: _____ Low

TECHNICAL AND HYDRAULIC DATA								
MODEL (FAN JET)	PVC SLIP NOZZLE	DISTANCE	THROW @ 30° ANGLE					
			3'	4'	6'	8'	10'	12'
RPWJ-FJ	3/4"	GPM	1.2	1.4	2.0	2.8	3.2	4.5
		SPREAD	4"	7"	20"	32"	50"	84"

- NOTE: A. Min. 8" wall thickness is required to install unit..
 NOTE: Use only purple primer and heavy body gray pvc glue to install.
 NOTE: Powder coated covers in various colors available; consult factory.
 NOTE: Fine screening at pump to minimize nozzle clogging is recommended.

SPECIFICATION DATA: Fan Jet 'Wall Nozzle; high strength white Sch. 40 thermoplastic niche body with waterstop/key flange, rebar attachment holes, adjustable brass fan nozzle, flush brass cover plate with stainless steel cover fasteners, 3/4" PVC slip connection.

DESIGN/APPLICATION DATA: RPWJ-FJ Series precision 'fan' nozzle wall jets are designed for use in pools where a flush mounted sidewall nozzle is required. The modular design facilitates ease of installation while providing a clean, unobtrusive vandal resistant finish.

© COPYRIGHT 2010 ROMAN FOUNTAINS
 ALL RIGHTS RESERVED

TYP. () ITEM # _____



ROMAN FOUNTAINS CORP.
 P.O. Drawer 10190
 Albuquerque, N.M. 87184
 Phone #: (800) 794-1801
 Fax #: (505) 343-8086
<http://www.romanfountains.com>

Revisions:		
No.	Date	By
1	02/25/04	FG
2	01/03/05	FG
3	01/13/06	FG
4	05/31/07	FG
5	01/31/08	FG
6	01/31/10	FG

Fan Nozzle	
'Wall Jet'	
Drawn By: F.J.G.	Model No. RPWJ-FJ
Checked By: J.M.	Drawing No. 1.38
Scale: None	
Date: 12/10/98	