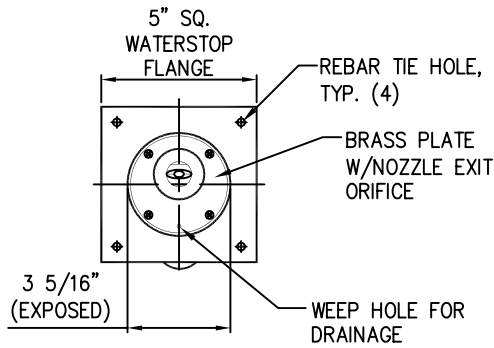


ELEVATION



TOP VIEW

NOTE:  
Due to our continuing product improvement program, Roman Fountains reserved the right to change the specifications without notice.



OPERATING DATA:

NOISE: \_\_\_\_\_ Low  
 VISIBILITY: \_\_\_\_\_ Low  
 SPLASH/MIST: \_\_\_\_\_ Medium  
 WIND STABILITY: \_\_\_\_\_ Low  
 AERATION QUALITY: \_\_\_\_\_ Low

TECHNICAL AND HYDRAULIC DATA						
MODEL (FAN JET)	PVC SLIP NOZZLE	DISTANCE MAX. APEX @ 60°	THROW @ 60° ANGLE			
			3'	4'	6'	8'
RPWJ-DFJ	3/4"	GPM	1.5	2.0	2.5	3.5
		SPREAD	6"	12"	44"	84"

- NOTE: An 8" minimum wall thickness required to install unit.
- NOTE: Use only purple primer and heavy body gray pvc glue to install.
- NOTE: Fine screening at pump to minimize nozzle clogging is recommended.

**SPECIFICATION DATA:** Fan Nozzle 'Deck Jet'; high strength Sch. 40 thermoplastic niche body with waterstop/key flange, rebar attachment holes, adjustable brass fan nozzle, flush brass cover plate with stainless steel cover fasteners, 3/4" PVC (socket) supply connection, and 1/2" PVC (pipe) drain connection.

**DESIGN/APPLICATION DATA:** RPWJ-DFJ Series, fan nozzle deck jets are designed for use in pools where a flush mounted deck nozzle is required. The modular design facilitates ease of installation while providing a clean, unobtrusive, vandal resistant finish.

© COPYRIGHT 2010 ROMAN FOUNTAINS  
ALL RIGHTS RESERVED

TYP. ( ) ITEM # \_\_\_\_\_



ROMAN FOUNTAINS CORP.  
 P.O. Drawer 10190  
 Albuquerque, N.M. 87184  
 Phone #: (800) 794-1801  
 Fax #: (505) 343-8086  
<http://www.romanfountains.com>

Revisions:		
No.	Date	By
6	01/31/08	FG
7	01/31/10	FG

Fan Nozzle	
'Deck Jet'	
Drawn By: F.J.G.	Model No.
Checked By: J.M.	<b>RPWJ-DFJ</b>
Scale: None	Drawing No.
Date: 04/06/00	<b>1.39</b>