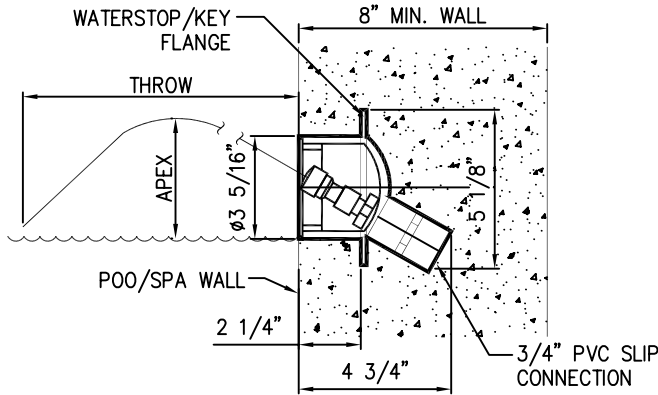
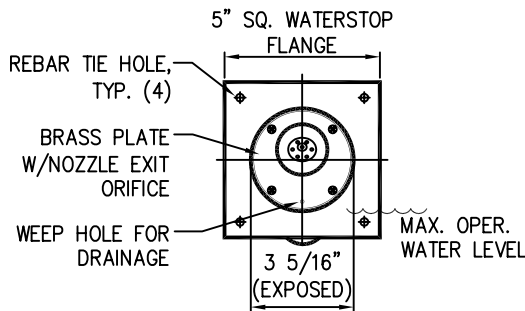


NOTE:
Due to our continuing product improvement program, Roman Fountains reserved the right to change the specifications without notice.



ELEVATION



FRONT VIEW



OPERATING DATA:

NOISE: _____ Medium
 VISIBILITY: _____ Low
 SPLASH/MIST: _____ Medium
 WIND STABILITY: _____ Low
 AERATION QUALITY: _____ Low

TECHNICAL AND HYDRAULIC DATA

MODEL (‘MULTI’ STREAM)	PVC SLIP NOZZLE	ORIFICE SIZE AND NUMBER	DISTANCE	THROW @ 30° ANGLE					
				2’	3’	4’	6’	8’	10’
RPWJ-MS	3/4”	(1) @ 1/8” ∅ (6) @ 3/32” ∅	APEX	3”	4”	5”	9”	12”	16”
			WIDTH	6”	9”	11”	14”	20”	25”
			GPM	1.1	1.5	2.2	2.4	2.8	3.2

- NOTE:** Fine screening at pump to minimize nozzle clogging is recommended.
NOTE: An 8” minimum wall thickness required to install unit.
NOTE: use only purple primer and heavy body gray pvc glue to install.
NOTE: powder coated covers in various colors available; consult factory.

SPECIFICATION DATA: Multi-Stream ‘Wall Jet’; high strength Sch. 40 thermoplastic niche body with waterstop/key flange, rebar attachment holes, adjustable brass ‘multi-stream’ type nozzle, flush brass cover plate with stainless steel cover fasteners, 3/4” PVC slip connection.

DESIGN/APPLICATION DATA: RPWJ-AMS Series adjustable precision ‘multi-stream’ wall jets are designed for use in pools where a flush mounted sidewall nozzle is required. The modular design facilitates ease of installation while providing a clean, unobtrusive, vandal resistant finish.

© COPYRIGHT 2010 ROMAN FOUNTAINS
 ALL RIGHTS RESERVED

TYP. () ITEM # _____



America's Fountain Company!™

ROMAN FOUNTAINS CORP.
 P.O. Drawer 10190
 Albuquerque, N.M. 87184
 Phone #: (800) 794-1801
 Fax #: (505) 343-8086
<http://www.romanfountains.com>

Revisions:

No.	Date	By
1	02/25/04	FG
2	01/03/05	FG
3	01/13/06	FG
4	05/31/07	FG
5	01/31/08	FG
6	01/31/10	FG

Multi-Stream
 ‘Wall Jet’

Drawn By: F.J.G.
 Checked By: J.M.
 Scale: None
 Date: 12/10/98

Model No.
RPWJ-MS
 Drawing No.
1.40