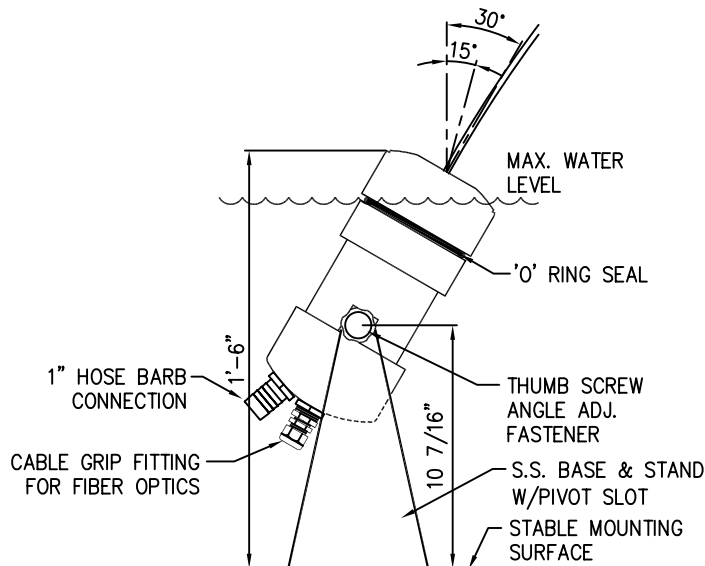
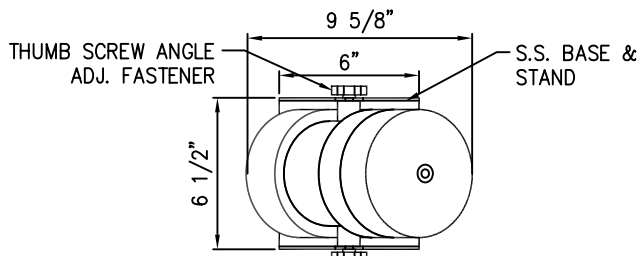


NOTE:
Due to our continuing product improvement program, Roman Fountains reserved the right to change the specifications without notice.



ELEVATION



TOP VIEW

TECHNICAL AND HYDRAULIC DATA (Performance based on 4 Gpm @ 8 ft. hd.)		
ANGLE (\angle)	APPROX. THROW (T)	APPROX. APEX (A)
15°	63"	55"
20°	82"	52"
25°	90"	50"
30°	103"	46"

NOTE: For optimum performance and best stream quality supply nozzle from a head/gravity tank, otherwise stream quality is reduced to quality of water source feeding nozzle.

SPECIFICATION: 'Roman Arch' Nozzle; construction consists of thermoplastic nozzle body and pivot, stainless steel pivoting nozzle base and stainless steel fasteners. Supply connection 1" hose barb fitting. Fiber optic connection is standard.

DESIGN/APPLICATION DATA: Nozzle produces a clear, arching laminar type stream of water of approx. 5/16" in diameter. Nozzle produces optimum stream quality when gravity fed by a 'head' tank or pressure column elevated to a minimum of 8 ft. Angle adjustment range (off vertical): 15° to +90°.

NOTES:

1. This is a wind sensitive stream and operates best in a "no wind" condition.
2. Fiber optic port will accept up to 1/2" dia. fiber optic cable.
3. Water supply must be 100% filtered.
4. Stream diverter attachment available; consult factory. (See Catalog product sheet 1.48a)

© COPYRIGHT 2010 ROMAN FOUNTAINS
ALL RIGHTS RESERVED

TYP. () ITEM # _____



ROMAN FOUNTAINS CORP.
P.O. Drawer 10190
Albuquerque, N.M. 87184
Phone #: (800) 794-1801
Fax #: (505) 343-8086
<http://www.romanfountains.com>

Revisions:		
No.	Date	By
7	01/31/08	FG
8	01/31/10	FG

'Roman Arch'	
Nozzle	
Drawn By: F.J.G.	Model No.
Checked By: J.M.	RMLN-401
Scale: None	Drawing No.
Date: 02/25/03	1.48