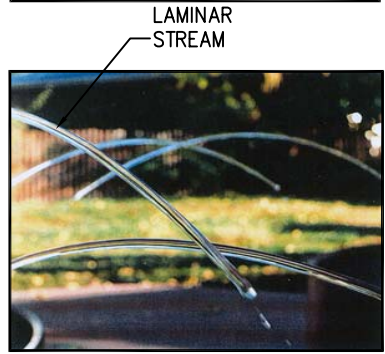
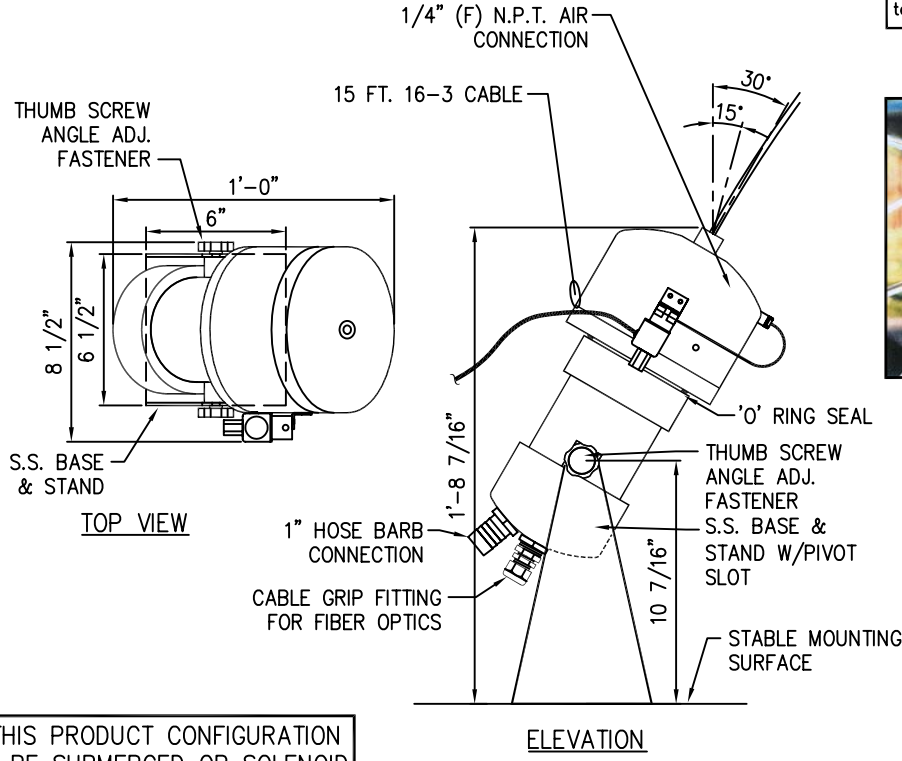
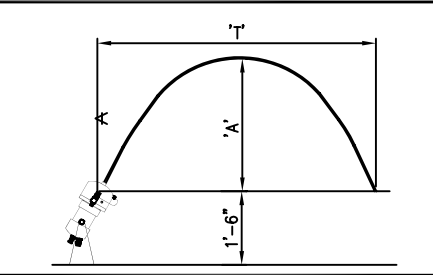


NOTE:
Due to our continuing product improvement program, Roman Fountains reserved the right to change the specifications without notice.



NOTE: THIS PRODUCT CONFIGURATION CANNOT BE SUBMERGED OR SOLENOID COIL WILL BE DAMAGED & WARRANTY IS VOID.

TECHNICAL AND HYDRAULIC DATA (Performance based on 4 Gpm @ 8 ft. hd.)		
ANGLE (°)	APPROX. THROW (T)	APPROX. APEX (A)
15°	63"	55"
20°	82"	52"
25°	90"	50"
30°	103"	46"



NOTE: FOR OPTIMUM PERFORMANCE AND BEST STREAM QUALITY SUPPLY NOZZLE FROM A HEAD/GRAVITY TANK, OTHERWISE STREAM QUALITY IS REDUCED TO QUALITY OF WATER SOURCE FEEDING NOZZLE.

SPECIFICATION: 'Roman Arch' Nozzle w/Diverter; construction consists of thermoplastic nozzle body and pivot, stainless steel pivoting nozzle base and stainless steel fasteners. Supply connection 1" hose barb fitting. Fiber optic connection is standard. Diverter assembly includes a 6 watt, 12vac solenoid valve with 15 ft. 16-3 cable, 1/4" female N.P.T. air connection (.25 CFM @ 40 psi).


DESIGN/APPLICATION DATA: Nozzle produces a clear, arching laminar type stream of water of approx. 5/16" in diameter. Angle adjustment range (off vertical): 15° to +90°.

NOTES:

1. This is a wind sensitive stream and operates best in a "no wind" condition.
2. Fiber optic port will accept up to 1/2" dia. fiber optic cable.
3. Water supply must be 100% filtered.

© COPYRIGHT 2010 ROMAN FOUNTAINS
ALL RIGHTS RESERVED

TYP. () ITEM # _____



roman fountains
America's Fountain Company!™

ROMAN FOUNTAINS CORP.
P.O. Drawer 10190
Albuquerque, N.M. 87184
Phone #: (800) 794-1801
Fax #: (505) 343-8086
<http://www.romanfountains.com>

Revisions:		
No.	Date	By
1	01/13/06	FG
2	05/18/06	FG
3	05/31/07	FG
4	01/31/08	FG
5	01/31/10	FG

'Roman Arch'	
Nozzle W/Diverter	
Drawn By: F.J.G.	Model No. RMLN-402
Checked By: J.M.	Drawing No. 1.48a
Scale: None	
Date: 01/05/05	