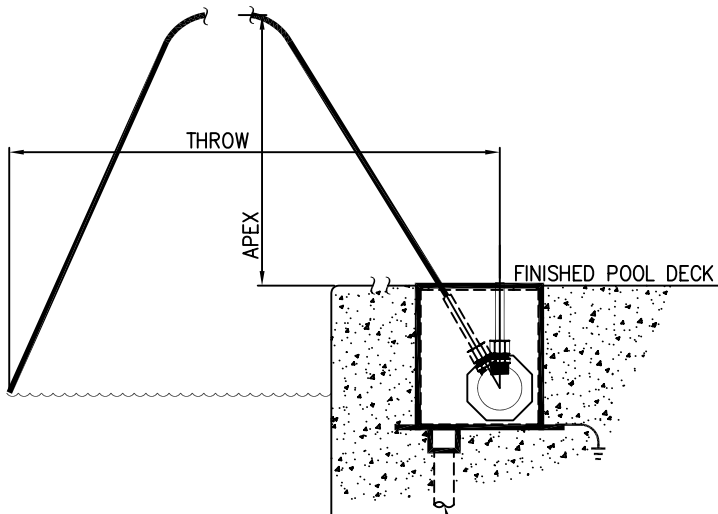
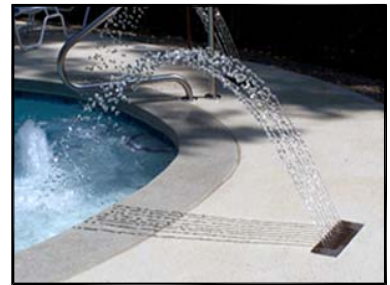
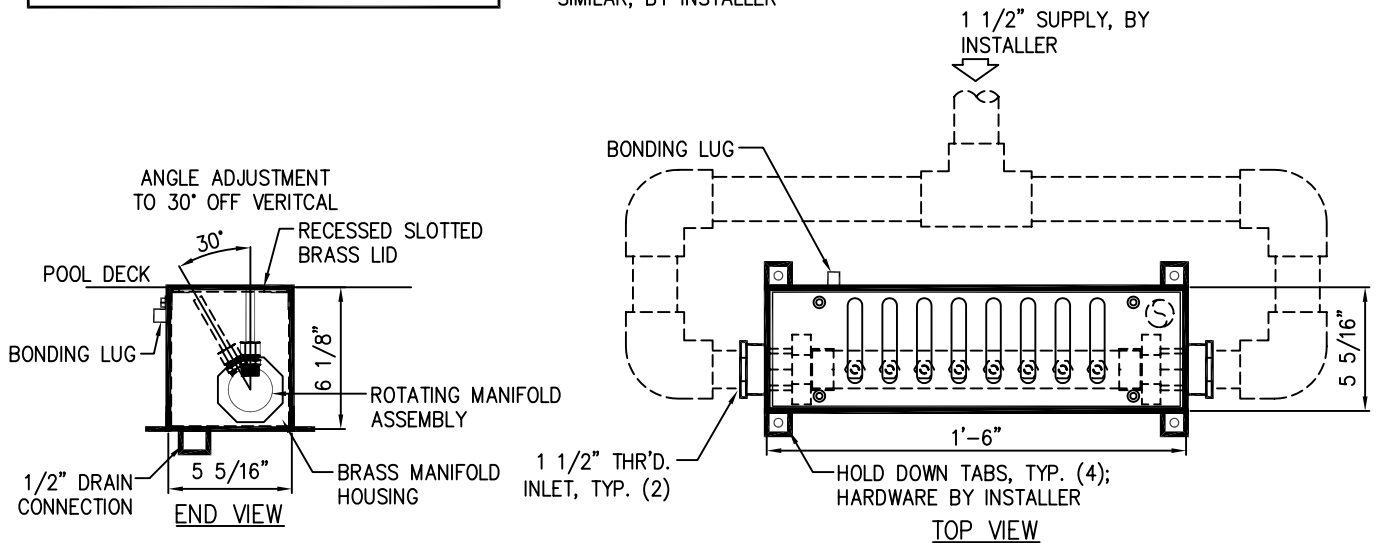


NOTE:
Due to our continuing product improvement program, Roman Fountains reserved the right to change the specifications without notice.



NOTE: THIS IS NOT A LAMINAR STREAM NOZZLE EFFECT.

1/2" DRAIN TO GRAVEL PIT/FRENCH DRAIN OR SIMILAR, BY INSTALLER



TECHNICAL AND HYDRAULIC DATA									
MODEL No.	CONNECTIONS	NOZZLE ORIFICE & QTY.	30° ANGLE						
			DISTANCE	6'	8'	10'	12'	14'	16'
RLB-800 "LIGHTNING BUG"	1 1/2" THR'D. (2 EACH) ONE EACH END	8 @ .312 (5/16") ORIFICE	APEX	1.75'	2.5'	3.0'	3.5'	4.0'	4.6'
			GPM	24	28	33	38	47	55
			HEAD	4'	5'	6'	8'	9'	10'

NOTE: AVAILABLE WITH LIGHTING OPTION; CONSULT FACTORY FOR DETAILS.

SPECIFICATION DATA: Multi-Stream 'Lightning Bug' Nozzle; all brass construction w/slotted removable plate. Adjustable angle (Rotatable) nozzle spray bar with eight (8) RPJ-312-L brass precision jets, two (2) 1 1/2" end connections, and bonding lug.

APPLICATION DATA: The "Lightning Bug" nozzle is designed for use in pool decks where a flush mounted spray effect is required. Modular design allows for ease of installation, providing a clean unobtrusive profile.

© COPYRIGHT 2010 ROMAN FOUNTAINS
ALL RIGHTS RESERVED

TYP. () ITEM # _____



ROMAN FOUNTAINS CORP.
P.O. Drawer 10190
Albuquerque, N.M. 87184
Phone #: (800) 794-1801
Fax #: (505) 343-8086
<http://www.romanfountains.com>

Revisions:		
No.	Date	By
1	10/18/05	FG
2	01/13/06	FG
3	05/31/07	FG
4	01/31/08	FG
5	01/31/10	FG

Multi-Stream 'Lightning Bug' Nozzle		Model No.
Drawn By: F.J.G.		RLB-800
Checked By: J.M.		Drawing No.
Scale: None		1.65
Date: 08/09/05		