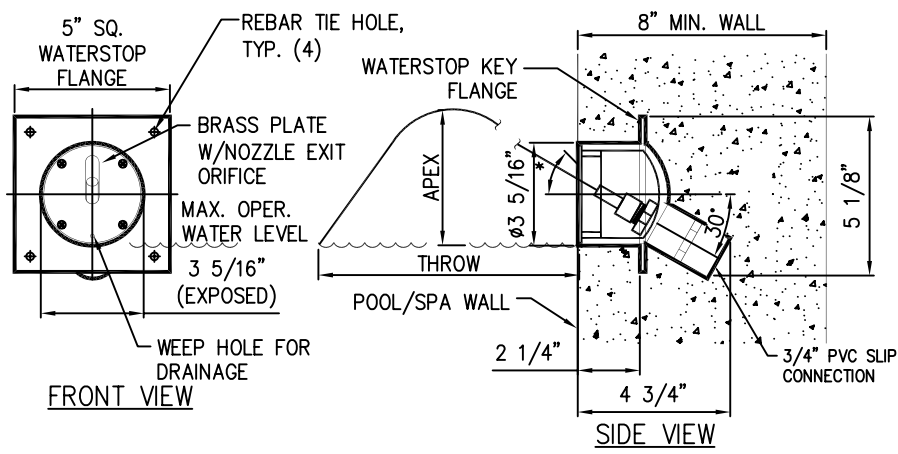


NOTE:
Due to our continuing product improvement program, Roman Fountains reserved the right to change the specifications without notice.



NOTE: THIS IS NOT A LAMINAR STREAM EFFECT. NOZZLE STREAM BREAKS UP APPROX. 2'-3' FROM FACE PLATE.



OPERATING DATA:
 NOISE: _____ Low to Medium
 VISIBILITY: _____ Low
 SPLASH/MIST: _____ Medium
 WIND STABILITY: _____ Low
 AERATION QUALITY: _____ Low

TECHNICAL AND HYDRAULIC DATA											
MODEL (PRECISION JET)	PVC SLIP NOZZLE	NOZZLE ORIFICE DIA.	*THROW ANGLE		DISTANCE	THROW @ 45° ANGLE					
			MIN.	MAX.		6'	8'	10'	12'	14'	16'
RPWJ-PJ-187	3/4"	3/16"	15°	45°	GPM	1.3	1.5	1.8	2.1	2.2	2.3
RPWJ-PJ-250	3/4"	1/4"	15°	45°	GPM	2.0	2.5	2.8	3.1	3.4	3.6
RPWJ-PJ-312	3/4"	5/16"	15°	45°	GPM	2.6	3.0	3.6	4.2	5.1	6.0


- NOTE: AN 8" MINIMUM WALL THICKNESS REQUIRED TO INSTALL UNIT.
- NOTE: NOZZLE ORIFICES ARE INTERCHANGEABLE IN THE FIELD.
- NOTE: USE ONLY PURPLE PRIMER AND HEAVY BODY GRAY PVC GLUE TO INSTALL.
- NOTE: POWDER COATED COVERS IN VARIOUS COLORS AVAILABLE; CONSULT FACTORY.
- NOTE: Fine screening at pump to minimize nozzle clogging is recommended.

SPECIFICATION DATA: Precision 'Wall Jet'; high strength Sch. 40 thermoplastic niche body with waterstop/key flange, rebar attachment holes, brass swivel-type nozzle, flush brass cover plate with stainless steel cover fasteners, 3/4" PVC slip connection.

DESIGN/APPLICATION DATA: RPWJ Series precision clear stream wall jets are designed for use in pools where a flush mounted sidewall nozzle is required. The modular design facilitates ease of installation while providing a clean, unobtrusive, vandal resistant finish.

© COPYRIGHT 2010 ROMAN FOUNTAINS
ALL RIGHTS RESERVED

TYP. () ITEM # _____

 roman fountains [®] <i>America's Fountain Company!™</i>	ROMAN FOUNTAINS CORP. P.O. Drawer 10190 Albuquerque, N.M. 87184 Phone #: (800) 794-1801 Fax #: (505) 343-8086 http://www.romanfountains.com	Revisions:			Precision	
		No.	Date	By		
		6	01/31/08	FG	Drawn By: F.J.G. Model No. Checked By: J.M. RPWJ-PJ Scale: None Drawing No. Date: 12/10/98 1.36	
		7	01/31/10	FG		