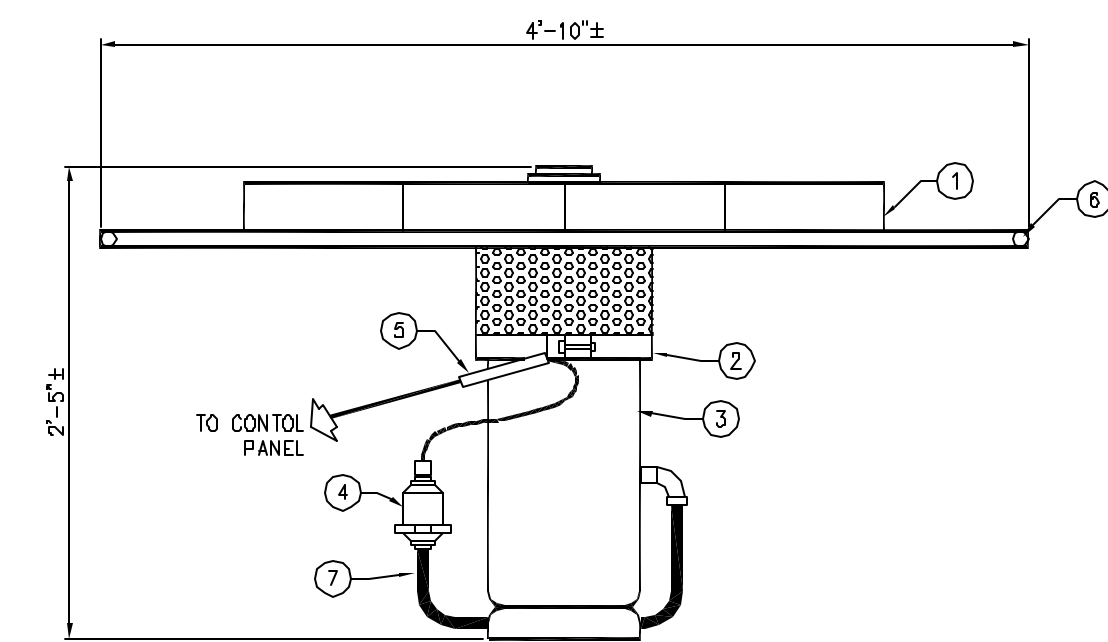


SECTION THROUGH POND

FIGURE #1

SCALE: NONE

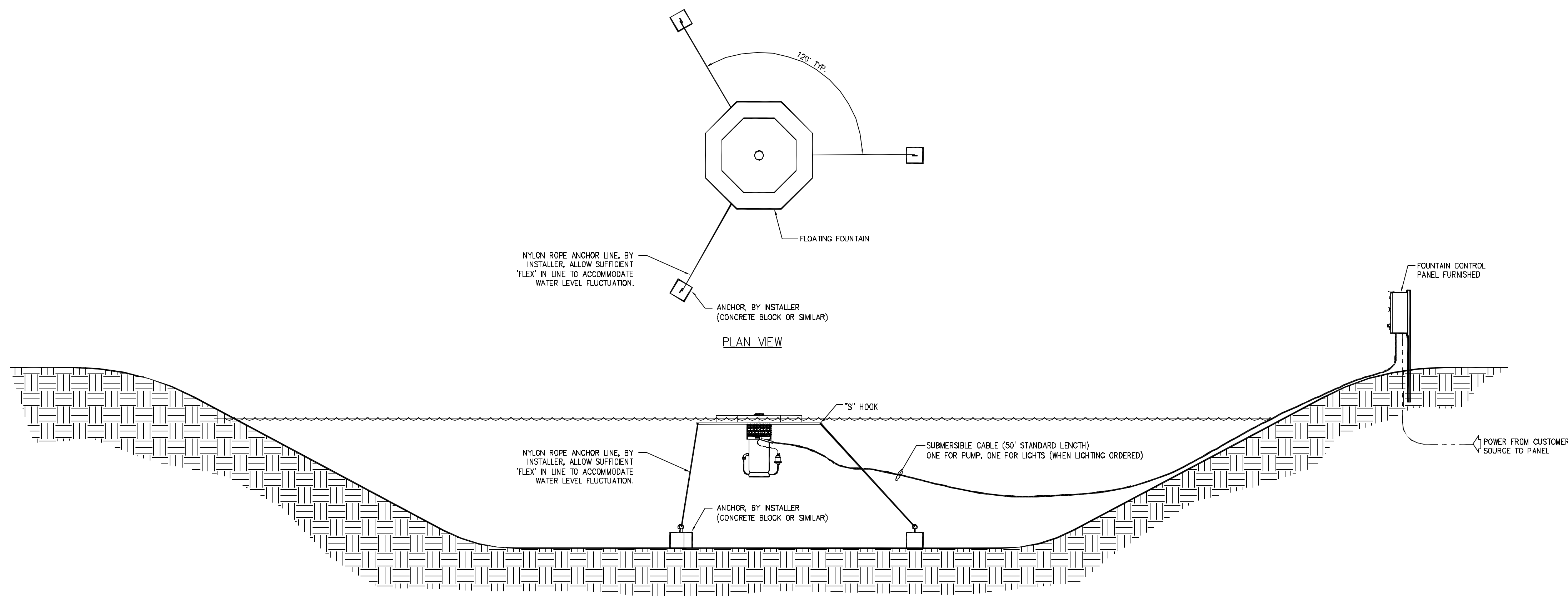
FIGURE #1 IS 'TYPICAL' FOR A SMALL POND, THAT IS EASILY ACCESSIBLE FROM AT LEAST TWO SIDES.



1. FLOAT ASSEMBLY WITH INTAKE SCREEN.
2. MOTOR ATTACHMENT BAND CLAMP.
3. STAINLESS STEEL MOTOR HOUSING ASSEMBLY.
4. UNDERWATER CABLE DISCONNECT ASSEMBLY.
5. KELLEMS CABLE GRIP.
6. ANCHORING POINTS.
7. CABLE HARNESS.

FOUNTAIN ASSEMBLY DETAIL

SCALE: NONE (TYPICAL)



SECTION THROUGH POND

FIGURE #2

SCALE: NONE

FIGURE #2 IS THE PREFERRED METHOD OF INSTALLATION IN A LARGER BODY OF WATER WHERE ACCESSIBILITY ON SHORE IS LIMITED.

ROMAN FOUNTAINS CORP.
P.O. Drawer 10190
Albuquerque, N.M. 87184
Phone #: (800) 794-1801
Fax #: (505) 343-8086
<http://www.romanfountains.com>

ROMAN FOUNTAINS CORP.
Eastern Sales Office
3800 Holcomb Bridge Road, Suite E
Norcross, GA 30092
Phone #: (770) 300-0041
Fax #: (770) 300-0074

Scale: NONE

Drawn By: F. Gorman

Checked By: J.Mitovich

Date:

Revisions:

No.	Date	By	Comments

**TYPICAL FLOATING
FOUNTAIN
ANCHORING DETAILS**

Drawing Number: