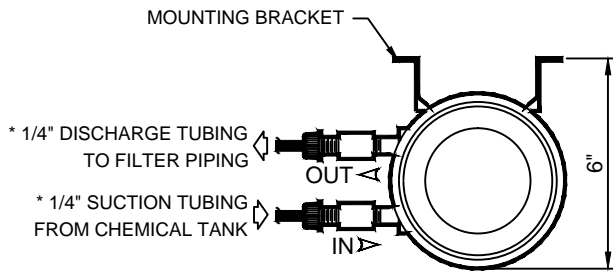




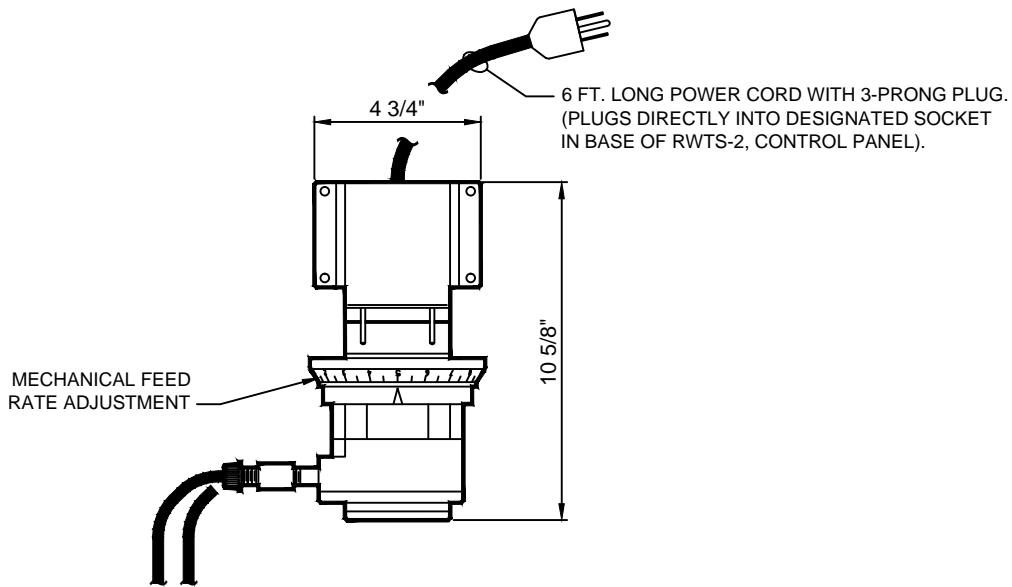
RCMP SERIES, SINGLE HEAD,  
ADJUSTABLE RATE, CHEMICAL  
METERING PUMP

(877) 794-1802



\* SEE CATALOG SHEET # 6.210

TOP VIEW



ELEVATION

**SPECIFICATION DATA:** Metering pump for acid or base injection with adjustable mechanical feed rate of .5 to 10.0 gal./day. Unit features 26 RPM motor rated for 120 volt, single phase operation, and includes a 6 ft. long power cord with 3-prong plug. Accessories include: 20 ft. of 1/4" poly tubing (installer cut to length, as required), tubing connector fittings, suction side ceramic tubing weight, feed side check valve.

**NOTE:** Due to our continuing product improvement, Roman Fountains reserves the right to change the specifications without notice.

**DESIGN/APPLICATION DATA:** Chemical metering pump provides a means of precise injection of water treatment chemicals into filter re-circulating system.