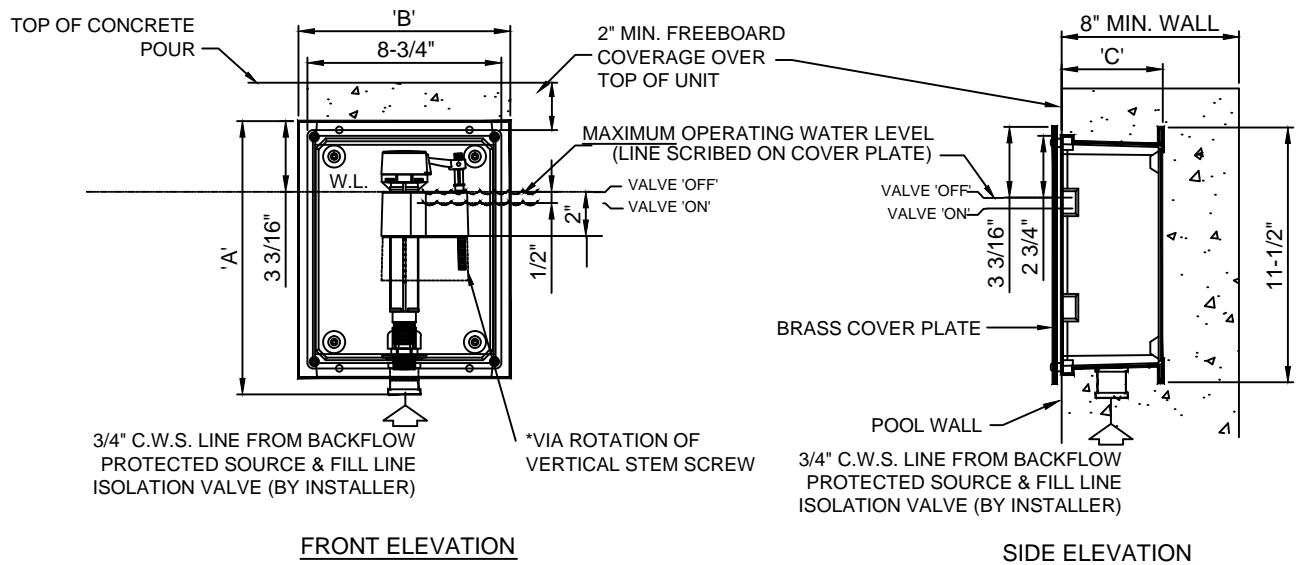




(877) 794-1802

RNB-075-WN, MECHANICAL WALL-MOUNTED WATER LEVEL MAKE-UP



TECHNICAL DATA						
MODEL NO.	(F) N.P.T. CONNECTION	OVERALL HEIGHT 'A'	OVERALL WIDTH 'B'	OVERALL DEPTH 'C'	MINIMUM P.S.I.	MAXIMUM P.S.I.
RNB-075-WN	3/4"	12 1/4"	9 9/16"	4 9/16"	30	50

SPECIFICATION DATA: Mechanical Wall-Mounted Water Level Make-up device, consisting of a rugged molded fiberglass niche, brass cover plate with brushed finish, vandal resistant stainless steel fasteners (Torx Pin-in T-25 wrench included), ABS float assembly, 3/4" (F) N.P.T. brass C.W.S. connection (**from backflow preventer protected supply**).

DESIGN/APPLICATION DATA: Roman Fountains RNB Series mechanical water level makeup device in used in small to medium pool applications to make up water lost due to evaporation or splash. its compact design allows for low profile, discrete installation.

- NOTES:**
1. Water level float is adjustable after installation, within a 2" range, float valve and water supply source must be fully drainable in freezing climates.
 2. Do not over tighten brass cover plate screws into niche.
 3. Due to continuing product improvement program, Roman Fountains reserves the right to change the specifications without notice.

DRAWING NO.
4.302