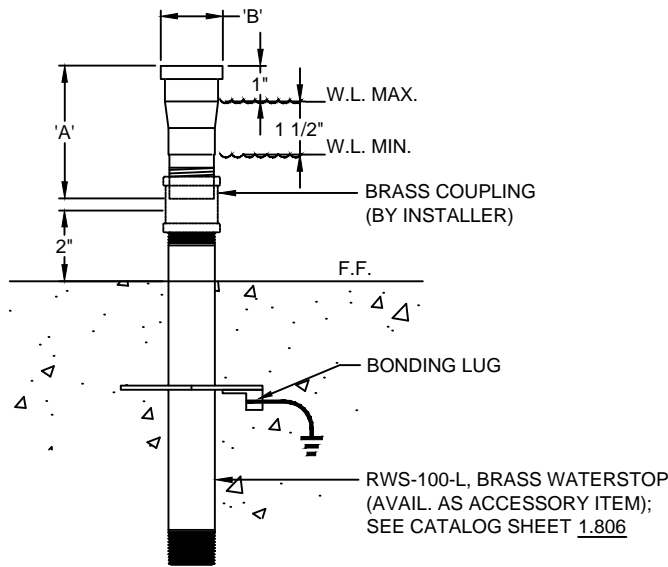
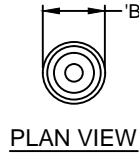
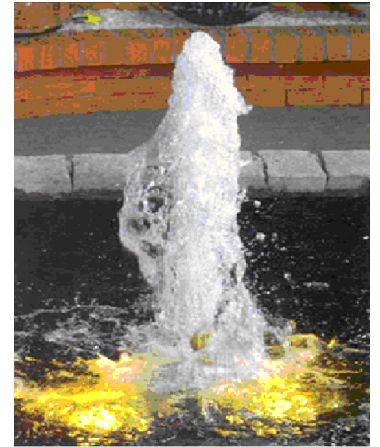




(877) 794-1802

# RFC-100, FUNNEL CASCADE NOZZLE



**OPERATING DATA:**

NOISE: \_\_\_\_\_ Medium  
 VISIBILITY: \_\_\_\_\_ High  
 SPLASH/MIST: \_\_\_\_\_ Medium  
 WIND STABILITY: \_\_\_\_\_ High  
 AERATION QUALITY: \_\_\_\_\_ High



3D IMAGE

**SPECIFICATION DATA:** Funnel Cascade Nozzle; one-piece machined brass construction, 1" (M) N.P.T. connection. (Optional alignment swivel available; see catalog sheet 1.802).

**DESIGN/APPLICATION DATA:** RFC-100, Funnel Cascade Nozzle produces an aerated water spray and is designed for installation where pool water level is shallow.

- NOTES:**
1. For most efficient spray pattern, use boxed chart section.
  2. This is not a water level dependent nozzle.
  3. Cascade nozzles create waves in small, confined pools and may require a wave dampening device; (see catalog sheet 1.810) consult factory.
  4. Due to continuing product improvement program, Roman Fountains reserves the right to change the specifications without notice.

TECHNICAL AND HYDRAULIC DATA											
MODEL NO.	SUCTION STRAINER OPENINGS REQUIRED	'A' DIM.	'B' DIM.	INLET N.P.T. (M)	SPRAY HEIGHT	2'	3'	4'	5'	6'	8'
RFC-100	.250"	3 3/4"	1 3/4"	1"	GPM	23	28	32	34	36	42
					HEAD	7'	9'	12'	14'	15'	21'
					SPREAD	7"	12"	17"	20"	24"	29"

DRAWING NO.  
**1.112**