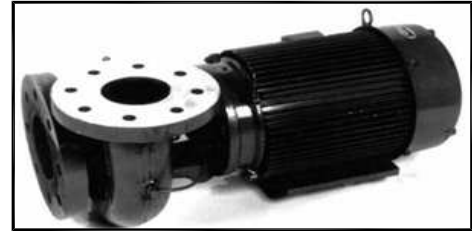
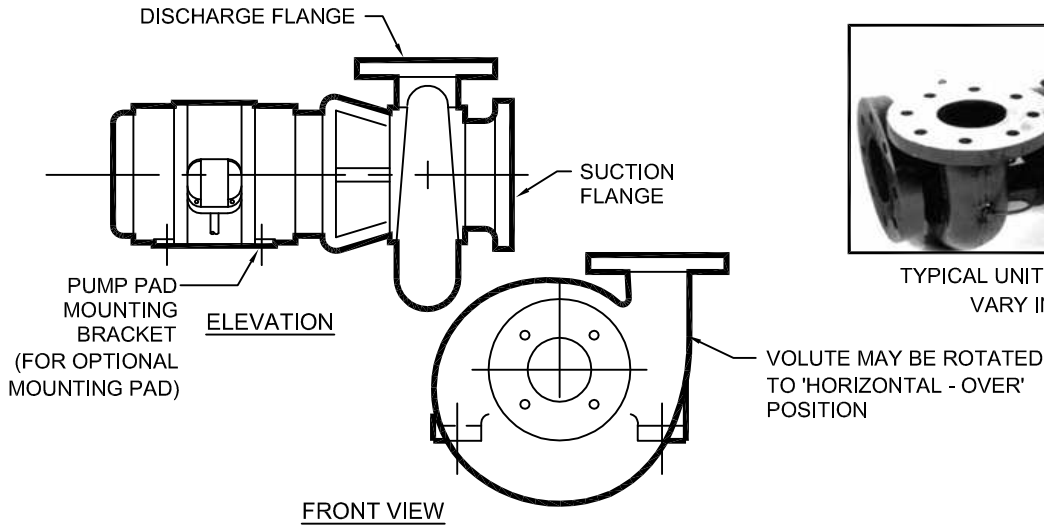




(877) 794-1802

RCP SERIES, FLOODED-END -SUCTION TYPE PUMP



TYPICAL UNIT. ACTUAL PUMP MAY VARY IN APPEARANCE

TECHNICAL AND HYDRAULIC DATA (Per feature requirements)					
MODEL #	PUMP H.P.	MOTOR VOLTAGE 1,800 RPM, TYPICAL		PUMP CONNECTIONS	
		1 PH.	3 PH.	PUMP SUCTION	PUMP DISCHARGE
RCP-_____	_____	240 V.	208/240/480 V.	_____	_____

SPECIFICATION DATA: Flooded-End-Suction (F.E.S.) Pump; Close Coupled, cast iron casting, standard bronze enclosed dynamically balanced impeller, leakless mechanical shaft seal with carbon-ceramic face, cast iron suction cover with bronze cover ring, bronze or stainless steel renewable shaft sleeve, bronze gland with bronze studs and fasteners, open drip proof (ODP) motor (T.E.F.C. available), continuous duty rated and close coupled to the volute casting, standard class B insulation rated 40° C, lithium base grease lubricated ball bearings, two position discharge outlet, 208/220/440 volt, 60 cycle, 3 phase, 1750 or 3450 RPM, 1.15 service factor, A.S.A. standard flanged connection.

DESIGN/APPLICATION DATA : Roman Fountains RCP-Series single stage, centrifugal flooded suction pumps are designed for general pumping service from dry, remote locations. Designed for use at elevations below fountain pool water level, their compact design conserves pump room floor space while permitting maximum operating efficiency in a horizontal position. Applications include medium to large architectural fountain systems requiring a remote flooded-suction type pumping system. Capacities range from 100 to 2000 GPM at 20 to 250 feet of head.

- NOTES:**
1. This table is for general selection only. Greater capacities available; consult factory
 2. Consult factory for pump performance curves.
 3. Pump dimensions vary with selection; consult factory.
 4. Flanges, gaskets and fasteners shall be provided by installer; not furnished by factory.
 5. Available with pump platform; consult factory.

DRAWING NO.
3.118