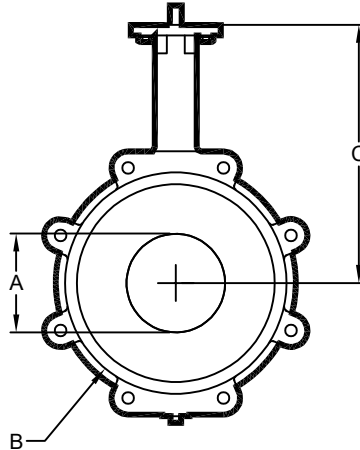


END VIEW

HAND WHEEL GEAR  
OPERATOR (8"-12")



FRONT VIEW



TECHNICAL DATA					
MODEL NO.	PIPE SIZE	A	B	C	D
RBV-800-G	8"	7 13/16"	10 11/16"	9 1/2"	2 3/8"
RBV-1000-G	10"	9 13/16"	13"	10 7/8"	2 11/16"
RBV-1200-G	12"	1 13/16"	14 13/16"	12 1/4"	3 1/8"

**SPECIFICATION DATA:** Lug Type Cast Iron Butterfly Valve; Wafer lug style, stainless-steel lug and disc, EPDM seat, epoxy-coated cast iron lever handle with infinitely adjustable S.S. top plate with memory stop, furnished with weatherproof lever handle operator standard, 150 PSI maximum operating pressure at 225°F.

**DESIGN/APPLICATION DATA:** Roman Fountains RBV Series butterfly valves are designed for use in fountain systems where regulation and isolation on the fountain display pump is required, The compact, wafer lug style pattern design allows for ease of handling, installation and operation.

**NOTE:** Due to continuing product improvement program, Roman Fountains reserves the right to change the specifications without notice.

DRAWING NO.  
**3.702**