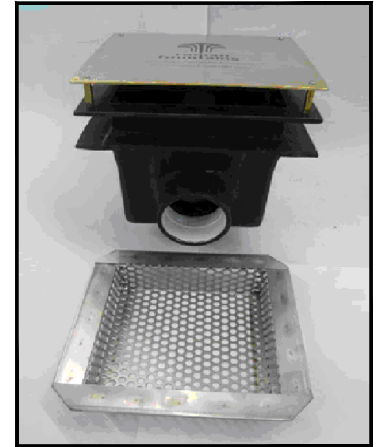
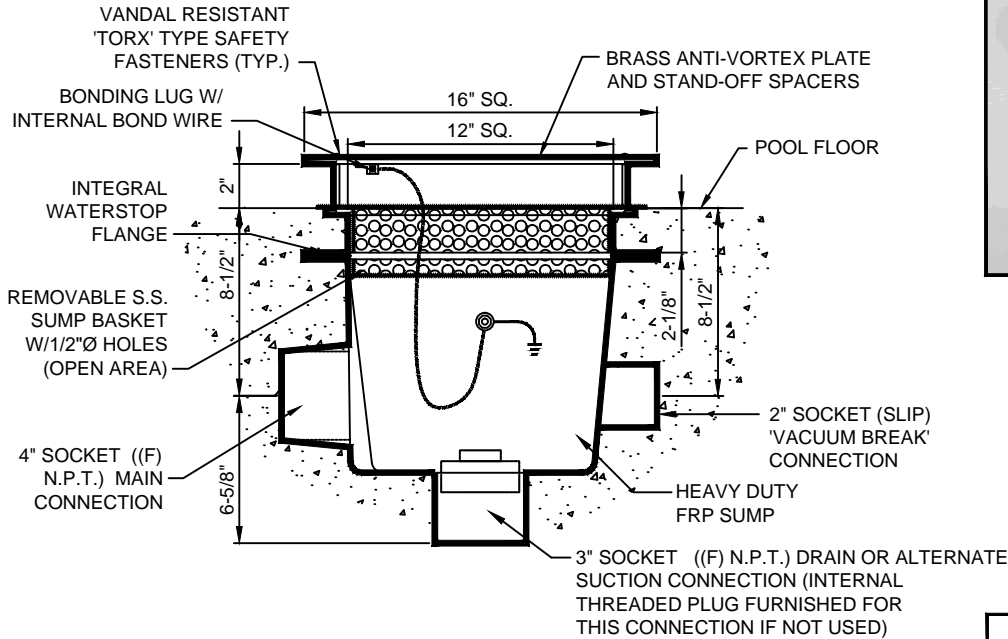




(877) 794-1802

RAVS-1600-CC, 16" SQ. ANTI-VORTEX PLATE & SUMP ASSEMBLY W/ STRAINER



SAFETY NOTICE

THE ANTI-VORTEX PLATE MUST BE FIRMLY IN PLACE AND SECURELY FASTENED TO SUMP BODY AT ALL TIMES TO GUARD AGAINST THE POSSIBILITY OF SUCTION ENTRAPMENT. NEVER REMOVE PLATE UNLESS FOUNTAIN IS SHUT OFF AND COMPLETELY DRAINED.

SPECIFICATION DATA: 16" Square Anti-Vortex Plate & Sump Assembly; Heavy Duty FRP sump with integral waterstop flange, 4" side, 3" bottom and 2" 'vacuum break' (socket) connections. (The 3" interior connection shall be provided with a 3" threaded male plug.) Solid brass 3/16" thick anti-vortex plate with brass spacers "TORX" type S.S. vandal resistant safety fasteners and wrench. Assembly also includes a sump basket of perforated stainless steel with 1/2"Ø openings.

DESIGN/APPLICATION DATA: Roman Fountains RAVS-1600-CC, anti-vortex plates and sumps are designed for use in fountain and reflecting pools using remote pumping systems. Available in a range of capacities and sizes, they provide a pre-fabricated mechanism for returning water from pool to pump, eliminating vortexing (drawing air into the pump) and promoting efficient re-circulation.

- NOTES:**
1. If this is the primary suction source for the recirculation system, use two (2) units minimum, to lessen the risk of suction entrapment.
 2. 128 square inch open area = .638 FPS suction velocity @ 200 GPM.
 3. Recommended maximum flow rate: 200 GPM @ 16" water depth.
 4. Due to continuing product improvement program, Roman Fountains reserves the right to change the specifications without notice.