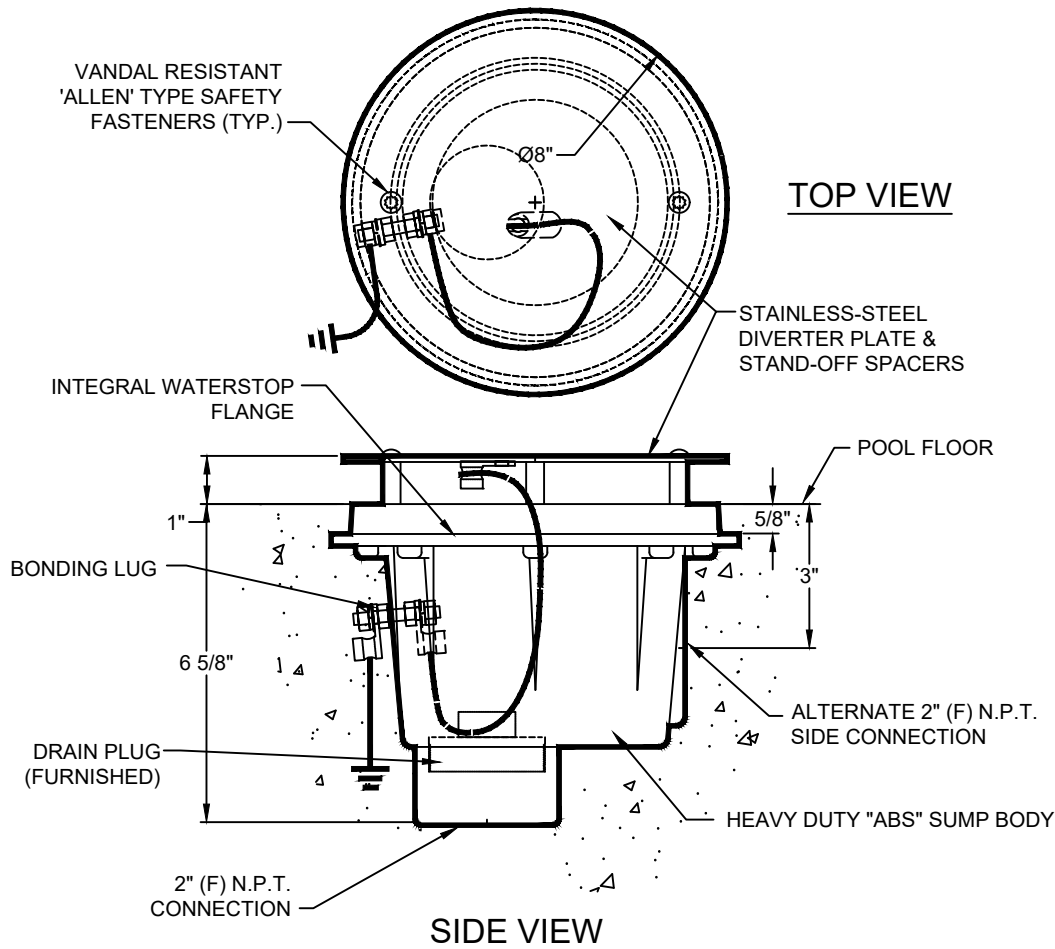


RAVS-800-DD-SS, 8" DIAMETER DIVERTER PLATE & SUMP ASSEMBLY



SPECIFICATION DATA: 8" Diameter Diverter Plate & Sump Assembly; Heavy Duty injection molded ABS plastic sump, integral waterstop and 2" (F) N.P.T. side and bottom connections with PVC male threaded plug for un-used connection, 8" diameter Stainless-Steel diverter plate and "ALLEN" type S.S. vandal resistant safety fasteners and wrench.

DESIGN/APPLICATION DATA: Roman Fountains RAVS-800-DD-SS, diverter plates and sumps are designed for use in fountains and reflecting pools using remote pumping systems. They are designed for use as discharge diffusion devices to return water to the pool without turbulence.

NOTES:

1. Either bottom or side connection may be used. Plug unused port with plug furnished.
2. 25 SQ. inch open area = .810 FPS @ 50 GPM velocity.
3. Recommended maximum flow rate: 50 GPM @ 16" water depth.
4. Due to continuing product improvement program, Roman Fountains reserves the right to change the specifications without notice.

DRAWING NO.
3.334