

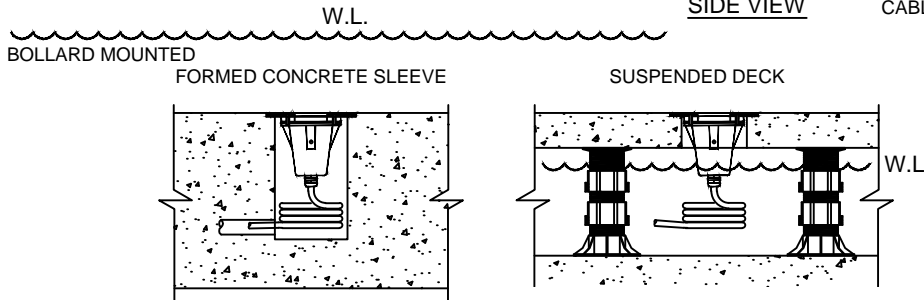
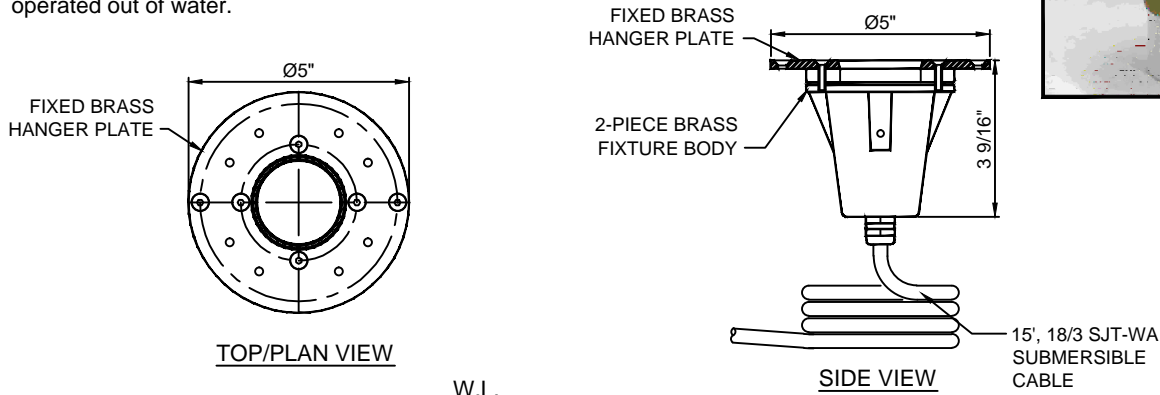


RFL-33-BC SERIES, COMPACT 12 V. WET/DRY/SUBMERSIBLE LIGHT FIXTURE W/ BRASS PLATE

(877) 794-1802



DESIGN/APPLICATION DATA: Roman Fountains RFL-33-__-BC Series, hanger type submersible light fixtures are designed for use in fountain or reflecting pools where a compact, fixture is required. Available in a range of wattages, their compact design allows use in a variety of wet/dry/submersible applications. The 20 and 35 watt versions can be operated out of water.



APPLICATION EXAMPLES

15' CORD LENGTH IS STANDARD

12VAC

TECHNICAL DATA					
MODEL NO.	LAMP WATTAGE	FIXTURE VOLTAGE	* LAMP TYPE	APPROXIMATE BEAM SPREAD	APPROXIMATE LAMP LIFE
RFL-33-20-BC	20 W	12 V.	MR-16	30°	2000 HOURS
RFL-33-35-BC	35 W	12 V.	MR-16	30°	2000 HOURS
RFL-33-50-BC	50 W	12 V.	MR-16	30°	2000 HOURS

NOTE: LAMP IS FURNISHED WITH THIS FIXTURE

NOTE: NOT TO BE USED IN SWIMMING POOL OR SPA APPLICATIONS.

NOTE: TRANSFORMER REQUIRED; CONSULT FACTORY.

SPECIFICATION DATA: Compact, 12 Volt Submersible Light Fixture w/Brass Cover Plate, cast brass construction, ___ watt, 12-volt MR-16 lamp, tempered glass lens, high temperature U-shaped gasket, 15 feet 18-3 SJT-WA type submersible cable. Fixture rated for 12VAC operation.

- NOTES:**
- Lamp life and lumens published by lamp manufacturer; not guaranteed by Roman Fountains.
 - A submersible junction box and potting compound may be required for installation; consult factory.
 - External shroud available; consult factory
 - Also available in 30' and 50' cable lengths; consult factory..
 - Color lenses available; consult factory (blue, green, red, amber)
 - Due to our continuing product improvement, Roman Fountains reserves the right to change the specifications without notice.