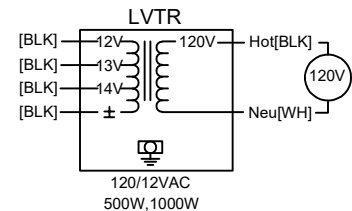
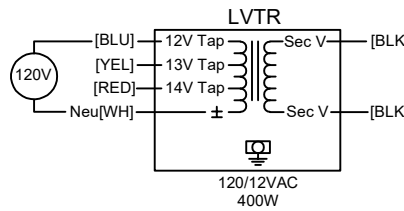
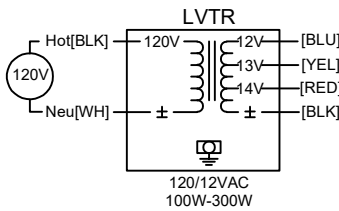
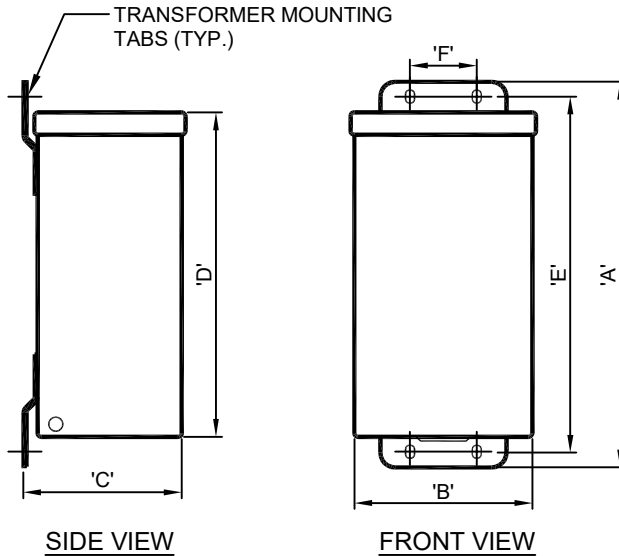


(877) 794-1802



TECHNICAL DATA								
MODEL	LAMP LOAD WATTS	DIMENSIONS						APPROX. NET WT.
		A	B	C	D	E	F	
RLVT-100-MT	100	10"	6"	5"	8"	9 1/8"	3"	12.0
RLVT-300-MT	300	10"	6"	5"	8"	9 1/8"	3"	12.0
RLVT-400-MT	400	11 1/2"	5 5/32"	4 23/32"	9 11/16"	10 1/2"	2 1/4"	13.5
RLVT-500-MT	500	11 1/2"	5 5/32"	4 23/32"	9 11/16"	10 1/2"	2 1/4"	15.5
RLVT-1000-MT	1000	13"	5 29/32"	5 11/32"	10 15/16"	12"	2 1/4"	27.5

NOTE: UNITS WITH '-MT' DESIGNATION PROVIDE MULTI-TAP SECONDARY LEADS FOR 12, 13 OR 14 VOLT POWER, AS REQUIRED.

SPECIFICATION DATA: Low Voltage Transformer, U.L. Listed NEMA type, weatherproof enclosure, full coil encapsulation for moisture protection and maximum heat dissipation. Grounded shield between primary and secondary coils to protect against high voltage entering low voltage circuits, internal circuit protection with automatic reset, large front wiring compartment with ground lug located up front and centered. Knockouts provided for bottom or side wiring. All transformers rated for 120VAC, Single Phase, 60 Hz. Primary, 12VAC Secondary.

NOTE: Due to our continuing product improvement, Roman Fountains reserves the right to change the specifications without notice.

DESIGN/APPLICATION DATA: Romans Fountains RLVT Series low voltage transformers are specifically designed to provide safe, isolated 12 volt power to low voltage submersible fountain lights.

DRAWING NO.
5.501