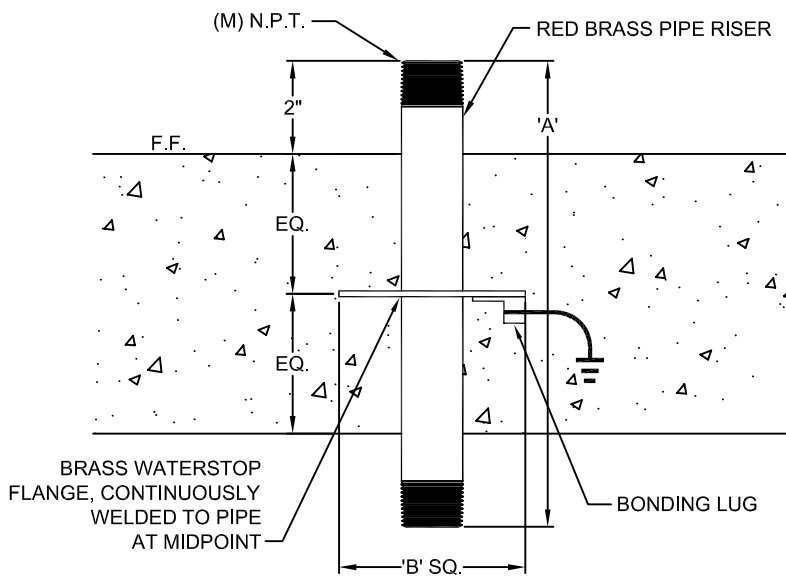
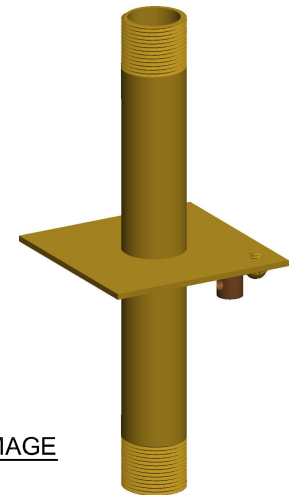


PLAN VIEW



ELEVATION



3D IMAGE

**SPECIFICATION DATA:** Slab Penetration Fitting (Long Style); Sch. 40 Red Brass pipe body to ASTM-B-16, brass waterstop flange/concrete key, continuous welded to pipe at the midpoint, brass bonding lug, (M) N.P.T. (male) threads at each end.

**DESIGN/APPLICATION DATA:** Roman Fountains RWS-L Series, slab penetration fittings are designed and fabricated for casting into concrete pool slabs as a waterstop device and a concrete key fitting. The fitting provides a rigid, threaded stub-out connection for display nozzles and other pool fittings.

**NOTES:** 1. Custom lengths with custom waterstop flange positions available; consult factory.

2. Due to continuing product improvement program, Roman Fountains reserves the right to change the specifications without notice.

TECHNICAL DATA			
MODEL NO.	N.P.T.	LENGTH 'A'	FLANGE SIZE 'B'
RWS-050-L	1/2"	10"	4" Sq.
RWS-075-L	3/4"	10"	4" Sq.
RWS-100-L	1"	10"	4" Sq.
RWS-125-L	1 1/4"	12"	4" Sq.
RWS-150-L	1 1/2"	12"	4" Sq.
RWS-200-L	2"	18"	6" Sq.
RWS-300-L	3"	24"	6" Sq.