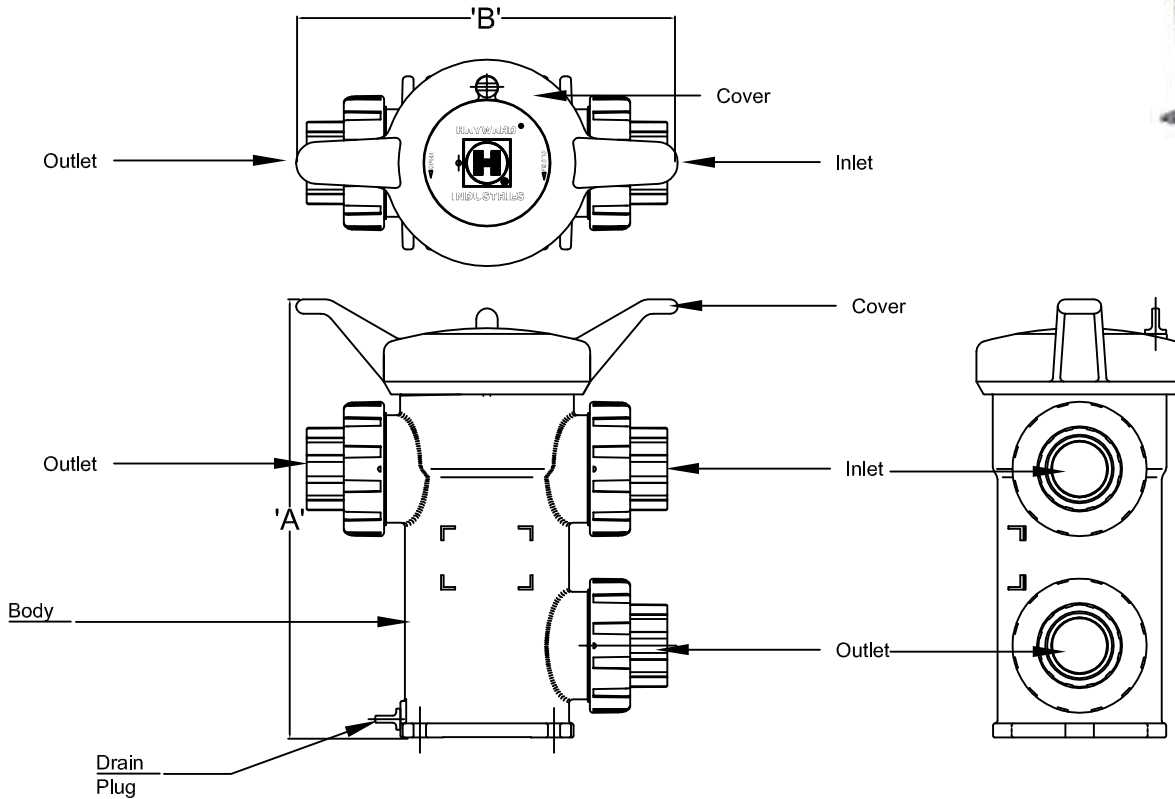




(877) 794-1802

RBS-PVC SERIES, BASKET STRAINER



TECHNICAL DATA			
MODEL NO.	CONNECTION N.P.T.	DIMENSIONS	
		'A'	'B'
RBS-PVC-050	1/2"	11.7"	10.77"
RBS-PVC-075	3/4"	11.7"	11.02"
RBS-PVC-100	1"	11.7"	11.64"
RBS-PVC-125	1-1/4"	15.5"	15.63"
RBS-PVC-150	1-1/2"	15.5"	15.89"
RBS-PVC-200	2"	15.5"	16.29"
RBS-PVC-250	2-1/2"	22.3"	21.02"
RBS-PVC-300	3"	22.3"	20.36"
RBS-PVC-400	4"	22.3"	22.30"
RBS-PVC-600	6"	35.9"	21.90"

SPECIFICATION DATA: PVC Basket Strainer with true union design; hand-removable cover; external cover thread; flat mounting bases. PVC or CPVC Baskets are standard with option for stainless-steel basket (consult factory); NSF / ANSI 61 and NSF / ANSI 72 Listed. Multiple mesh screen options are available. Consult factory.

DESIGN/APPLICATION DATA: RBS-PVC Series strainers are used on when fine-screening is required to intercept line debris before entering nozzles or dirt-sensitive valves, etc.

NOTE: Due to continuing product improvement program, Roman Fountains reserves the right to change the specifications without notice.