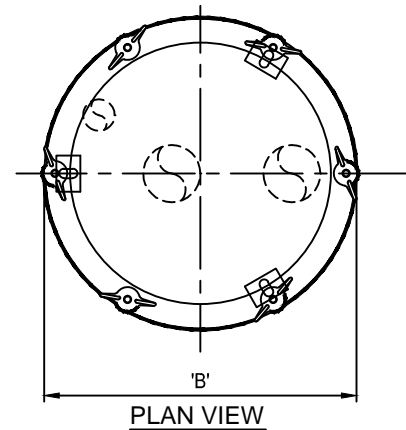
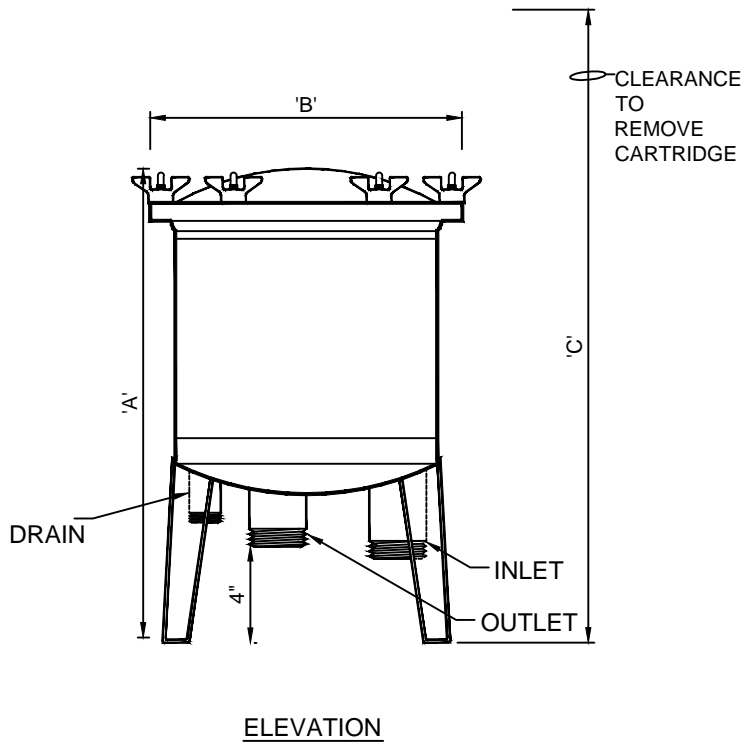




(877) 794-1802

RSSCF SERIES STAINLESS STEEL CARTRIDGE FILTER



DIMENSIONAL & TECHNICAL INFORMATION							
MODEL	DIM 'A'	DIM 'B'	DIM 'C'	FLOW RATE	CONN. SIZE	DRAIN CONN.	6 HR. TURNOVER
RSSCF-30	19-1/2"	13"	35"	TO 30 GPM	1-1/2"	1"	10,800 GAL.
RSSCF-60	28"	13"	48"	TO 60 GPM	1-1/2"	1"	21,600 GAL.
RSSCF-75	28"	13"	48"	TO 75 GPM	2"	1"	27,000 GAL.
RSSCF-100	37"	13"	68"	TO 100 GPM	2"	1"	36,000 GAL.

NOTE: Units with greater flow rates available; consult factory.

SPECIFICATION DATA: Cartridge filter housing is of 316 stainless steel, electropolished for increased resistance to corrosion; brass wing nuts; CPVC holding rods, lifting rods, standpipes and pipe caps; EPDM rim gasket; Buna-N 'O'-rings, bottom seals are natural gum rubber; pressure rated to 150 psi (10 bar) maximum.

NOTE: Due to our continuing product improvement, Roman Fountains reserves the right to change the specifications without notice

DESIGN/APPLICATION DATA: Roman Fountains RSSCF-Series cartridge filters are designed for use in small to medium size fountain pools and reflecting pools where a compact filtration tank is required to maintain water clarity.

DRAWING NO.
6.111