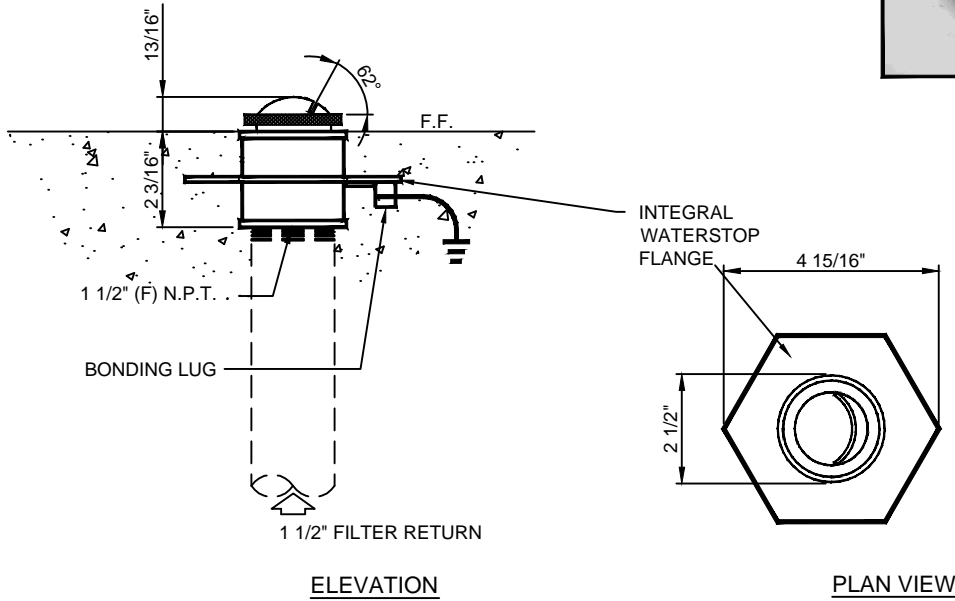




(877) 794-1802

RSF-150-WS-A, FLOOR MOUNTED SWEEP INLET FITTING



NOTE: INSTALL WATERSTOP FLANGE FACE FLUSH TO FINISHED FLOOR.

TECHNICAL AND HYDRAULIC DATA		
MODEL NO.	CONNECTION SIZE	MAXIMUM FLOW RATE
RSF-150-WS-A	1-1/2"	10 GPM

SPECIFICATION DATA: Fixed Angle Floor Mounted 'Sweep' Inlet Fitting; consisting of a machined brass body with integral waterstop flange, bonding screw, slotted brass "sweep" eyeball with retaining ring and 1-1/2" (F) N.P.T. connection, standard natural brass finish.
NOTE: Due to our continuing product improvement, Roman Fountains reserves the right to change the specifications without notice.

DESIGN/APPLICATION DATA: Roman Fountains RSF-150-WS-A series "sweep" inlet fitting is designed for use in fountains and retaining pools as a floor mounted discharge point for filtered water, where specific flow direction is required.

DRAWING NO.
6.506