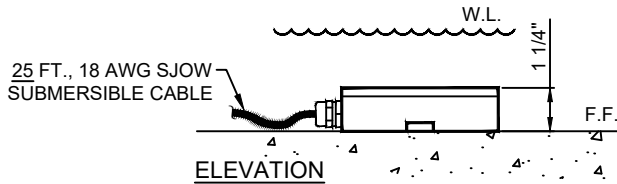
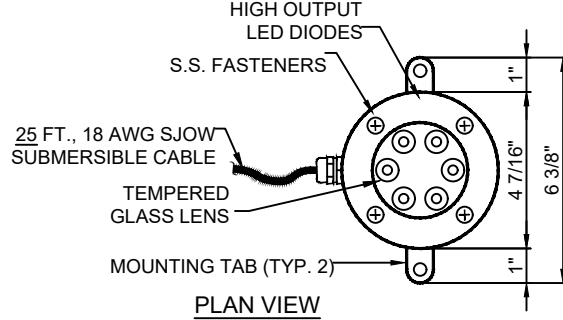




# RFL-HP-24VDC SERIES, 'HOCKEY PUCK' SUBMERSIBLE LED LIGHT FIXTURE

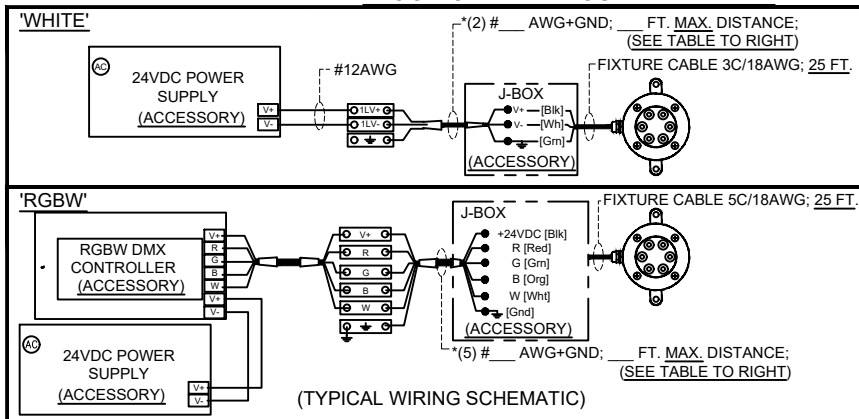
(877) 794-1802



FLOOR OR WALL MOUNT EXAMPLES



**LED**  
**24VDC**



\*\*\*Electrician to verify correct voltage at fixtures while under load.\*\*\*

| *MAXIMUM CABLE LENGTH FOR A SINGLE RUN |  |        |        |        |        |        |
|--|--|--------|--------|--------|--------|--------|
| LOAD AT 24VDC                          | MAXIMUM CABLE LENGTH TO THE LAST FIXTURE IN A CABLE RUN BY WIRE SIZE |        |        |        |        |        |
| WATTS                                  | AMPS   | #14    | #12    | #10    | #8     | #6     |
| 0-36                                   | 0.0-1.5  | 100FT. | 150FT. | 250FT. | 425FT. | 675FT. |
| 36-72                                  | 1.5-3.0  | 50FT.  | 80FT.  | 125FT. | 200FT. | 325FT. |
| 72-108                                 | 3.0-4.5  |        | 55FT.  | 85FT.  | 140FT. | 225FT. |
| 108-144                                | 4.5-6.0  |        | 40FT.  | 65FT.  | 105FT. | 165FT. |
| 144-180                                | 6.0-7.5  |        | 30FT.  | 50FT.  | 85FT.  | 135FT. |
| 180-216                                | 7.5-9.0  |        | 25FT.  | 40FT.  | 70FT.  | 110FT. |
| 216-252                                | 9.0-10.5   |        | 20FT.  | 35FT.  | 60FT.  | 95FT.  |
| 252-288                                | 10.5-12.0  |        | 20FT.  | 30FT.  | 50FT.  | 80FT.  |

## TECHNICAL DATA

| MODEL NO.             | LIGHT SOURCE         | LIGHT COLOR                  | BEAM ANGLE | INPUT VOLTAGE | WATTS | CABLE TYPE    | IP RATING |
|-----------------------|----------------------|------------------------------|------------|---------------|-------|---------------|-----------|
| RFL-HP-WW-24VDC-18W   | 6X3W<br>WHITE DIODES | WARM 'WHITE'<br>(3000K)      | 30 DEG.    | 24VDC         | *18.0 | 18-3 AWG SJOW | 68        |
| RFL-HP-CW-24VDC-18W   | 6X3W<br>WHITE DIODES | COOL 'WHITE'<br>(4000K)      | 30 DEG.    | 24VDC         | *18.0 | 18-3 AWG SJOW | 68        |
| RFL-HP-DW-24VDC-18W   | 6X3W<br>WHITE DIODES | DAY 'WHITE'<br>(6000K)       | 30 DEG.    | 24VDC         | *18.0 | 18-3 AWG SJOW | 68        |
| RFL-HP-RGBW-24VDC-24W | 6X4W<br>RGBW DIODES  | RED/GREEN/<br>BLUE/DAY WHITE | 30 DEG.    | 24VDC         | *24.0 | 18-5 AWG SJOW | 68        |

\*NOTE: THIS FIGURE REPRESENTS THE MAXIMUM POSSIBLE LOAD FOR THIS FIXTURE.

**SPECIFICATION DATA:** Small diameter, low profile LED submersible light fixture for floor or wall mounting. High output LED diodes, stainless steel housing and fasteners with two mounting tabs, tempered glass lens, silicone lens gasket, chromed brass cord entrance fitting; 25 ft. of 18 AWG SJOW cable; U.L. Listed; 24VDC; Constant Voltage fixture.

**DESIGN/APPLICATION DATA:** Any fountain application where a compact, low profile, high output LED submersible light fixture is required.

**NOTES:** 1. 24VDC Power supply required to operate fixtures. Contact factory for requirements.

2. 'DMX' Controller required to operate 'RGBW' fixtures in programmable mode. Contact factory for requirements.

3. NEC requires no more than 10' of cable be exposed on basin floor.

4. Due to our continuing product improvement, Roman Fountains reserves the right to change the specifications without notice.

**DRAWING NO.**  
**5.101a**