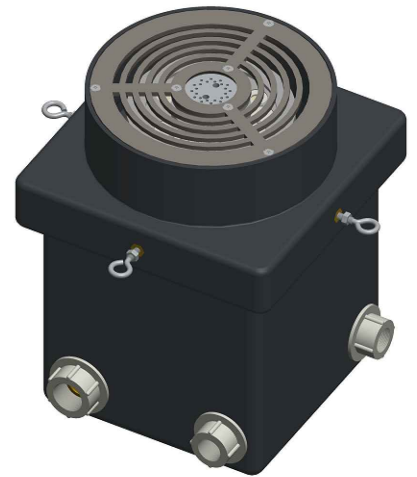
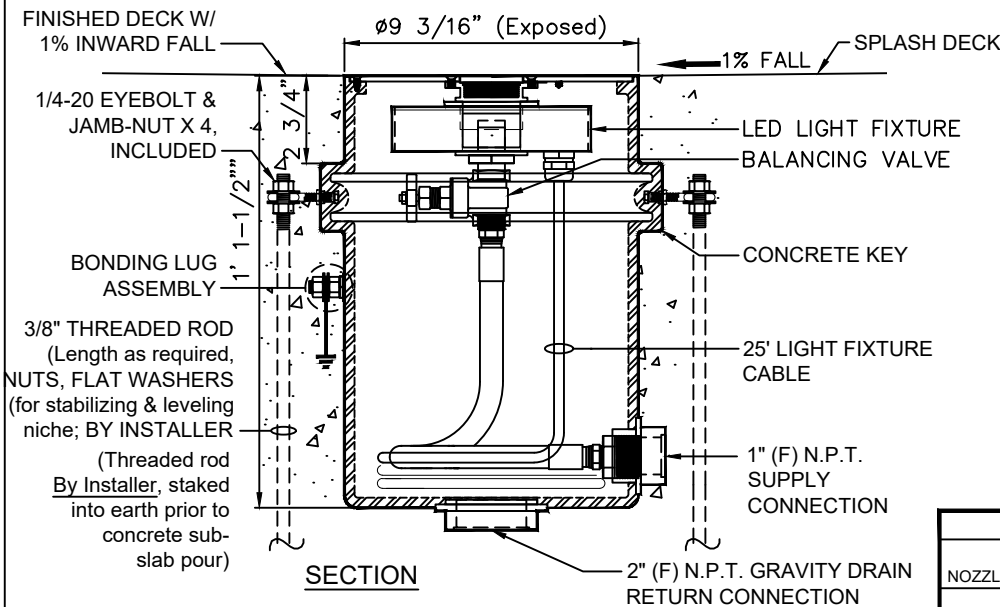
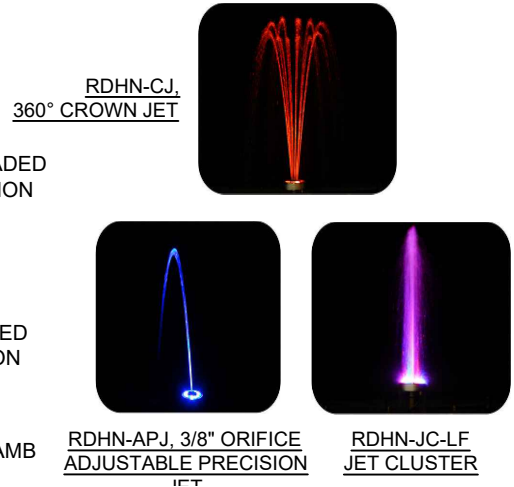
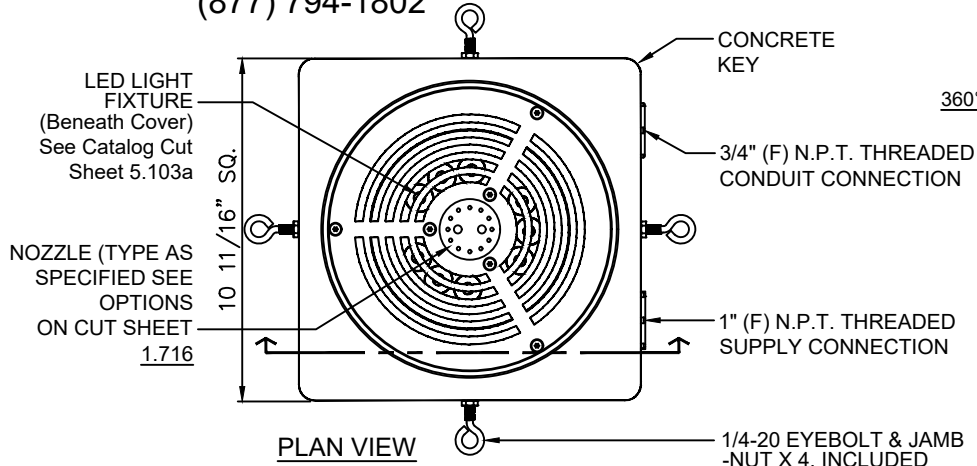


(877) 794-1802



3D IMAGE

LED 24VDC 

NOZZLE LID		HYDRAULIC DATA					
		SPRAY HEIGHT					
		2'-0"	4'-0"	6'-0"	8'-0"	10'-0"	12'-0"
JC/L	GPM	4.2	5.8	7.1	8.3	9.3	10.4
	HEAD	5.0'	9.5'	13.5'	18.0'	23.0'	28.5'
APJ	GPM	3.9	5.8	7.0	8.2	9.2	10.1
	HEAD	3.0'	9.0'	13.0'	18.0'	23.0'	26.0'
CJ	GPM	3.9	5.6	7.2	8.3	9.4	10.8
	HEAD	5.0'	8.5'	13.5'	18.5'	23.5'	30.0'

SPECIFICATION DATA: The Splashlight 2 Flush-Mounted Non-Sequencing Nozzle/LED Light Assembly, consisting of a high-strength roto-molded polypropylene niche body with integral waterstop key flange, threaded inserts to accept eye-bolts and jamb-nuts (included) for installation, in conjunction with Installer provided 3/8" threaded rod, flat washers and nuts; Stainless Steel Grate and Nozzle insert with choice from three different spray patterns, 2" (F) N.P.T. threaded drain return connection, 1" (F) N.P.T. threaded supply connection, internal balancing valve and flex hose; 3/4" (F) N.P.T. conduit connection and one high output 'Donut Hole' 360 degree LED light fixture with 25 ft. cord (specify 'White' or 'RGBW')

- NOTES:**
1. Fine screening at pump is recommended.
 2. 24VDC power supply required to operate LED fixture. Contact factory for requirements.
 3. DMX driver required to operate 'RGB' and 'RGBW' fixtures in programmable mode. Contact factory for requirements.
 4. Three interchangeable nozzle cover spray patterns available with this product. Unit is supplied with one nozzle of customers' choice. See hydraulic data table and nozzle spray pattern images, above.
 5. U.L. Listed LED Light Fixture
 6. Due to continuing product improvement program, Roman Fountains reserves the right to change the specifications without notice.

DRAWING NO.
1.401a