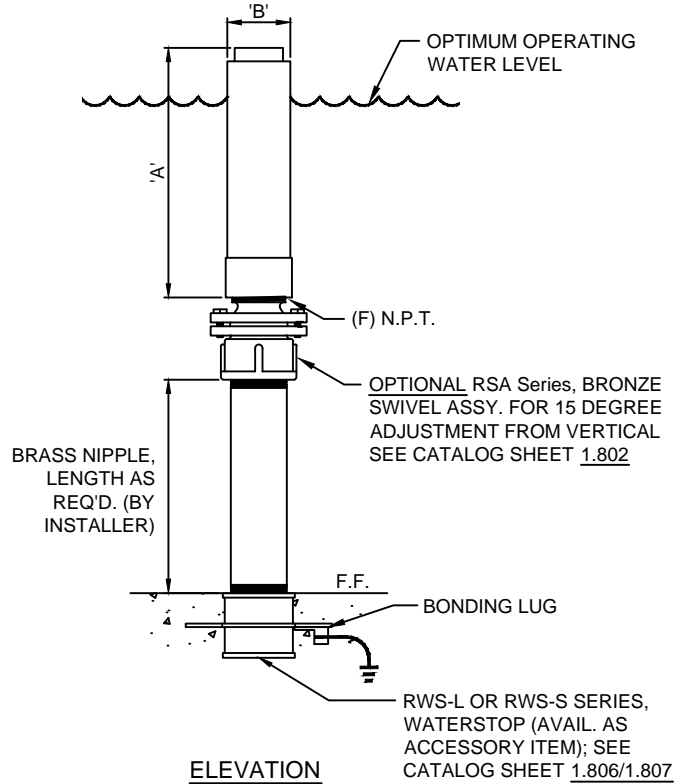




(877) 794-1802

RNA-SERIES, WATER LEVEL INDEPENDENT AERATOR NOZZLE



3D IMAGE



OPERATING DATA:

NOISE: _____ Medium
 VISIBILITY: _____ High
 SPLASH/MIST: _____ Medium
 WIND STABILITY: _____ Medium
 AERATION QUALITY: _____ High

SPECIFICATION DATA: Water Level Independent Aerator Nozzle; constructed of copper and brass with natural finish, female threaded connection. (Optional alignment swivel available; consult factory).

DESIGN/APPLICATION DATA: Produces an aerated column of water without relying on a specific water level.

- NOTES:**
1. Fine screening at pump to minimize nozzle clogging is recommended, see below.*
 2. This is a water level independent nozzle.
 3. Box area indicates optimum performance.
 4. Due to continuing product improvement program, Roman Fountains reserves the right to change the specifications without notice

TECHNICAL AND HYDRAULIC DATA											
MODEL NO.	DIMENSIONS			*RECOMMENDED STRAINER OPENINGS	SPRAY HEIGHT	PERFORMANCE					
	A DIM.	B DIM.	INLET N.P.T. (female)			4'	6'	10'	12'	16'	20'
RNA-100	6"	1 3/8"	1"	.063"	GPM HEAD	11 13'	14 19'	18 30'			
RNA-125	6 1/2"	1 5/8"	1 1/4"	.100"	GPM HEAD	16 13'	18 17'	24 29'			
RNA-150	8 1/2"	2"	1 1/2"	.120"	GPM HEAD	22 13'	26 18'	33 28'	36 34'		
RNA-200	9"	2 3/4"	2"	.160"	GPM HEAD	29 9'	34 13'	43 21'	47 24'	52 31'	
RNA-300	11 1/2"	4"	3"	.200"	GPM HEAD	47 13'	58 17'	82 30'	90 35'	110 44'	113 58'

DRAWING NO.
1.108