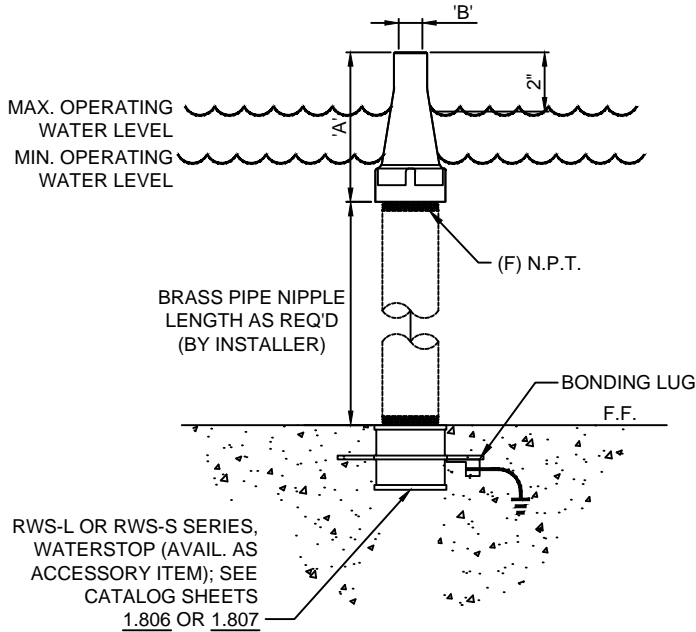
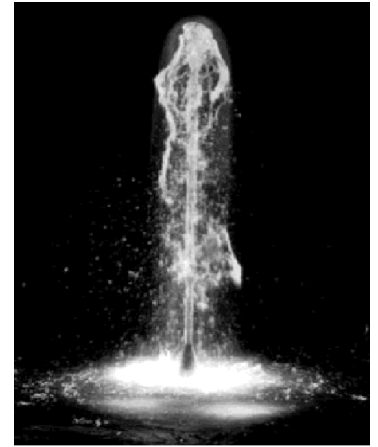


RSN-F SERIES, FIXED SMOOTH BORE NOZZLE



ELEVATION

OPERATING DATA:

NOISE: _____ Low to Medium
 VISIBILITY: _____ Medium
 SPLASH/MIST: _____ Medium
 WIND STABILITY: _____ Low to Medium
 AERATION QUALITY: _____ Low



3D IMAGE

SPECIFICATION DATA: Fixed Smooth Bore Nozzle; one-piece machined brass construction with (F) N.P.T. connection. (Optional alignment swivel available; consult factory).

DESIGN/APPLICATION DATA: RSN-F Series smooth bore nozzle produces a clear stream of water with minimal distortion when operated within flow rates in table above.

- NOTES:**
1. Dim. "B" is nozzle stream exit orifice.
 2. Boxed area in grid indicates optimum performance.
 3. Due to continuing product improvement program, Roman Fountains reserves the right to change the specifications without notice.

TECHNICAL AND HYDRAULIC DATA											
MODEL NO.	SUCTION SCREENING REQUIRED	DIMENSIONS			SPRAY HEIGHT						
		(F) N.P.T.	'A'	'B' (I.D.)		5'	10'	15'	20'	30'	40'
RSN-100-F	.250	1"	4"	1/2"	GPM	12	16	21	23		
					HEAD	7'	13'	19'	24'		
RSN-150-F	.300	1-1/2"	5-1/8"	5/8"	GPM		34	35	38	46	
					HEAD		14'	20'	24'	42'	
RSN-200-F	.350	2"	6-1/8"	7/8"	GPM		41	61	70	94	113
					HEAD		14'	21'	28'	40'	61'

DRAWING NO.
1.206
 R1_02-25-19