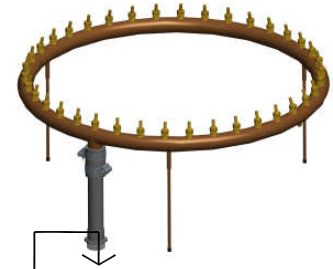
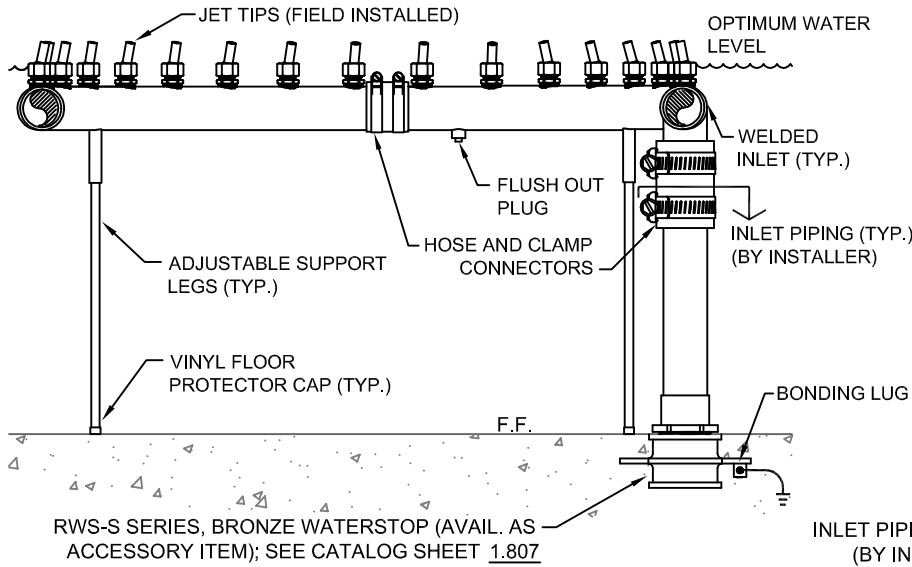


RSR-SERIES, RED BRASS SPRAY RING



3D IMAGE

ELEVATION

OPERATING DATA:

NOISE: _____ Medium
 VISIBILITY: _____ Medium
 SPLASH/MIST: _____ Medium
 WIND STABILITY: _____ Medium
 AERATION QUALITY: _____ Medium

IMPORTANT: FLUSH PIPING & REMOVE FOREIGN OBJECTS FROM NOZZLE FITTINGS PRIOR TO STARTUP. REMOVE NOZZLE(S) DURING FLUSH IF EXCESSIVE DEBRIS PRESENT

SPECIFICATION DATA: Red Brass Spray Ring; Schedule 40 brass construction, machined brass .187" orifice jets, adjustable to 15° off vertical in a 360° cone, hose & clamp inlet(s) on rings larger than 6', flush plug(s), adjustable copper support legs with leg couplings, and vinyl floor protection caps, factory set for a 16" water depth.

DESIGN/APPLICATION DATA: RSR Series red brass spray ring produces circular spray patterns using a series of clear stream precision jets, adjustable to create six different spray effects.

- NOTES:**
1. Other diameters available on special order; consult factory for details.
 2. Fine screening at pump, half the diameter of jet orifice or smaller, to minimize nozzle clogging recommended.
 3. Ring diameters 8' and larger ship in sections for on-site assembly.
 4. Due to continuing product improvement program, Roman Fountains reserves the right to change the specifications without notice.

| TECHNICAL AND HYDRAULIC DATA | | | | | | | | | | | | | | |
|------------------------------|-------------------|------------------------|-----------------|----------------------|----------------|------------------------|-------------------|------|-----|-----|-----|-----|-----|--|
| MODEL NO. | RING C/L DIA. (*) | APPROX. NUMBER OF JETS | APPROX. SPACING | JET ORIFICE DIA. (*) | RING PIPE DIA. | NUMBER/ SIZE OF INLETS | MAX. SPRAY HEIGHT | HEAD | | | | | | |
| | | | | | | | | 2' | 4' | 6' | 8' | 10' | 12' | |
| RSR-18 | 18" | 19 | 3" O.C. | .187 | 1-1/2" | 1 (1-1/2") | GPM | 21 | 29 | 40 | 44 | | | |
| RSR-24 | 24" | 25 | 3" O.C. | .187 | 1-1/2" | 1 (1-1/2") | GPM | 28 | 38 | 53 | 58 | | | |
| RSR-36 | 36" | 38 | 3" O.C. | .187 | 1-1/2" | 2 (1-1/2") | GPM | 42 | 54 | 80 | 88 | 110 | 122 | |
| RSR-48 | 48" | 50 | 3" O.C. | .187 | 1-1/2" | 2 (1-1/2") | GPM | 55 | 75 | 105 | 115 | 145 | 160 | |
| RSR-60 | 60" | 62 | 3" O.C. | .187 | 1-1/2" | 2 (1-1/2") | GPM | 66 | 93 | 130 | 143 | 180 | 200 | |
| RSR-72 | 72" | 76 | 3" O.C. | .187 | 1-1/2" | 2 (1-1/2") | GPM | 84 | 114 | 160 | 175 | 220 | 238 | |
| RSR-84 | 84" | 88 | 3" O.C. | .187 | 1-1/2" | 2 (1-1/2") | GPM | 97 | 132 | 185 | 203 | 255 | 275 | |
| RSR-96 | 96" | 100 | 3" O.C. | .187 | 2" | 2 (2") | GPM | 110 | 150 | 210 | 230 | 290 | 315 | |
| RSR-120 | 120" | 96 | 4" O.C. | .187 | 2" | 4 (2") | GPM | 106 | 144 | 202 | 221 | 278 | 310 | |
| RSR-144 | 144" | 112 | 4" O.C. | .187 | 2" | 4 (2") | GPM | 124 | 168 | 235 | 258 | 325 | 360 | |
| RSR-180 | 180" | 140 | 4" O.C. | .187 | 2" | 4 (2") | GPM | 154 | 210 | 294 | 322 | 406 | 450 | |
| RSR-216 | 216" | 172 | 4" O.C. | .187 | 2" | 6 (2") | GPM | 190 | 258 | 361 | 396 | 500 | 550 | |
| RSR-240 | 240" | 188 | 4" O.C. | .187 | 2" | 6 (2") | GPM | 207 | 282 | 395 | 433 | 545 | 605 | |

DRAWING NO.
1.301