



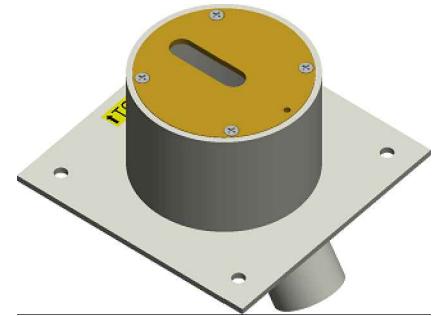
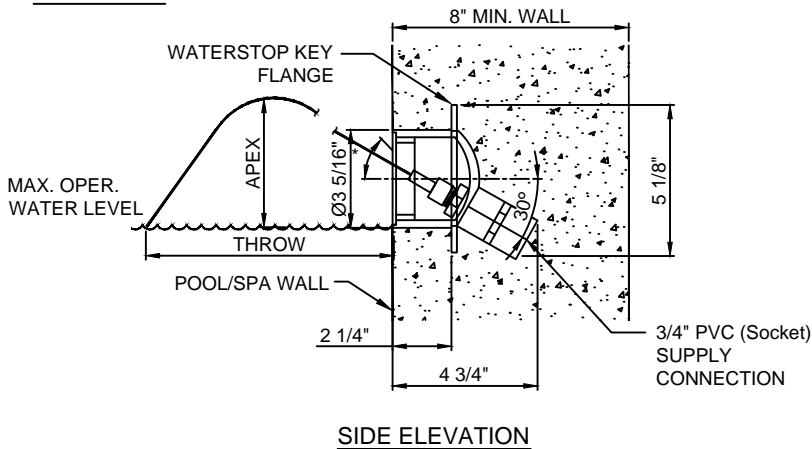
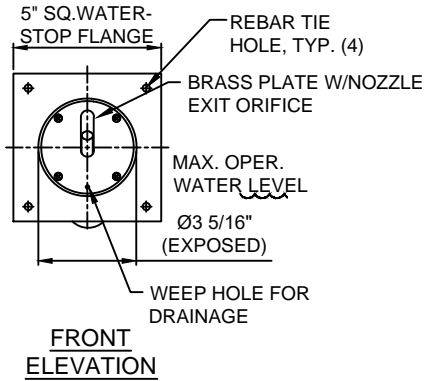
(877) 794-1802

RPWJ-PJ SERIES, PRECISION 'WALL JET'



OPERATING DATA:

NOISE: _____ Low to Medium
 VISIBILITY: _____ Low
 SPLASH/MIST: _____ Medium
 WIND STABILITY: _____ Low
 AERATION QUALITY: _____ Low



3D IMAGE

SPECIFICATION DATA: Precision 'Wall Jet' assembly consisting of high strength Sch. 40 thermoplastic niche body with waterstop/key flange, rebar attachment holes, brass swivel-type nozzle, flush brass cover plate with stainless steel cover fasteners, 3/4" PVC (Socket) supply connection.

DESIGN/APPLICATION DATA: RPWJ Series precision clear stream wall jet is designed for use in pools where a flush-mounted sidewall nozzle is required. The modular design facilitates ease of installation while providing a clean, unobtrusive, vandal resistant finish.

- NOTES:**
1. An 8" minimum wall thickness required to install unit.
 2. Nozzle orifices are interchangeable in the field.
 3. Use only purple primer and heavy body gray PVC glue to install.
 4. Fine screening at pump, half the diameter of jet orifice or smaller, to minimize nozzle clogging recommended.
 5. This is NOT a laminar stream effect. Nozzle stream breaks up approx. 2'-3' from face plate.
 6. Due to continuing product improvement program, Roman Fountains reserves the right to change the specifications without notice.

TECHNICAL AND HYDRAULIC DATA											
MODEL NO.	PVC SOCKET CONNECTION	NOZZLE ORIFICE DIA.	*THROW ANGLE MIN.	MAX.	DISTANCE	THROW @ 45° ANGLE					
						6'	8'	10'	12'	14'	16'
RPWJ-PJ-187	3/4"	3/16"	15°	45°	GPM	1.3	1.5	1.8	2.1	2.2	2.3
RPWJ-PJ-250	3/4"	1/4"	15°	45°	GPM	2.0	2.5	2.8	3.1	3.4	3.6
RPWJ-PJ-312	3/4"	5/16"	15°	45°	GPM	2.6	3.0	3.6	4.2	5.1	6.0

DRAWING NO.
1.410