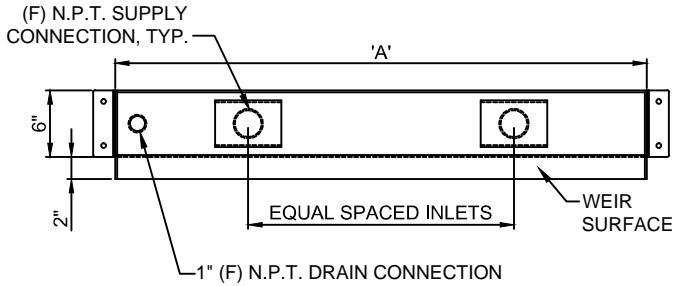


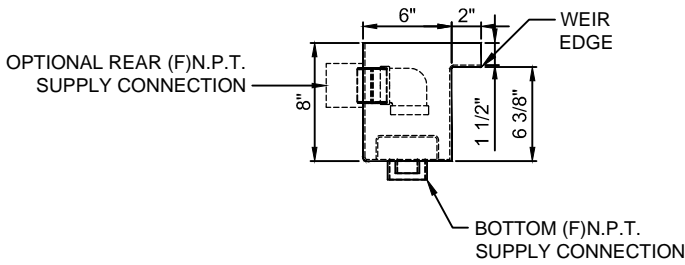


(8077) 794-1802

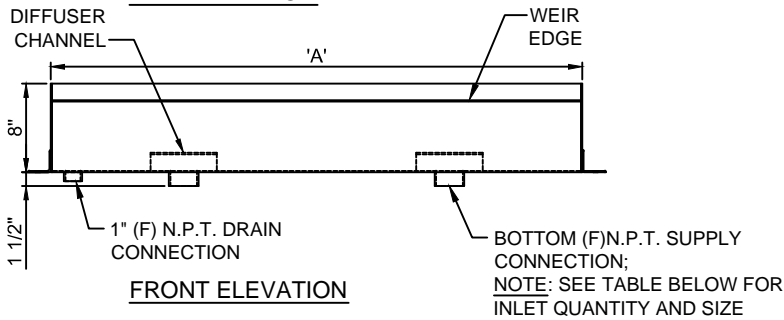
RWT-SERIES, STAINLESS STEEL WEIR TROUGH



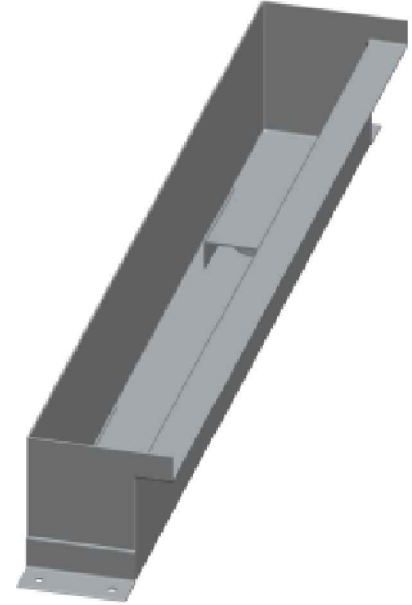
PLAN VIEW



END ELEVATION



FRONT ELEVATION



3D IMAGE

SPECIFICATION DATA: One-Piece Stainless Steel Weir Trough; constructed of 304, 11 gauge stainless steel, w/(F) NPT supply connection(s), internal diffuser assembly (or 90 deg. elbow) and drain connection.

- NOTES:**
1. Custom lengths (up to 10') available on request; consult factory.
 2. Supply connections can be installed in back of tank; consult factory.
 3. This drawing represents our typical product construction. The weir profile may vary depending on actual design conditions.
 4. Due to continuing product improvement program, Roman Fountains reserves the right to change the specifications without notice.

TECHNICAL AND HYDRAULIC DATA			
MODEL #	LENGTH 'A'	# & SIZE OF INLETS	GPM @ 1/2" THICKNESS
RWT-24	24"	(1) 2"	30 GPM
RWT-36	36"	(1) 2"	45 GPM
RWT-48	48"	(2) 1-1/2"	60 GPM
RWT-60	60"	(2) 2"	75 GPM
RWT-72	72"	(2) 2"	90 GPM
RWT-96	96"	(3) 2"	120 GPM
RWT-120	120"	(4) 2"	150 GPM

DRAWING NO.
1.606