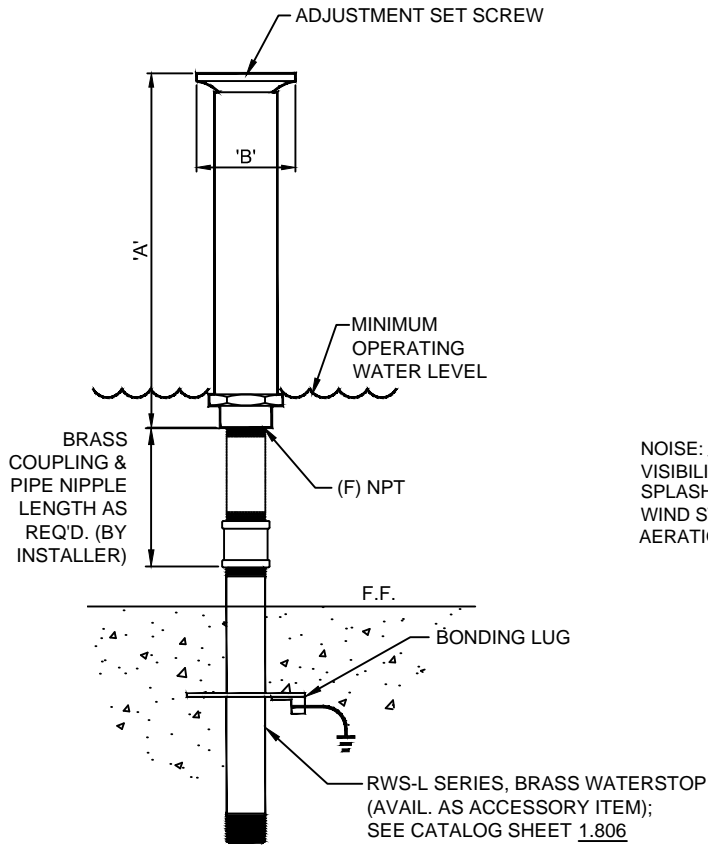
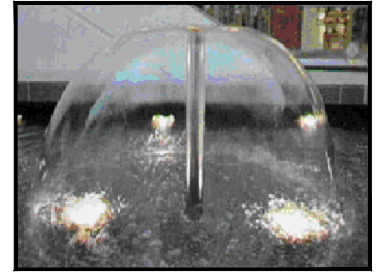




(877) 794-1802

RBJ-SERIES, BELL JET NOZZLE



ELEVATION

OPERATING DATA:

NOISE: _____ Low
 VISIBILITY: _____ Low
 SPLASH/MIST: _____ Medium
 WIND STABILITY: _____ Low
 AERATION QUALITY: _____ Low



3D IMAGE

SPECIFICATION DATA: Bell Jet Nozzle; machined copper and brass construction, adjustable top cone with adjustment set screw and (F) N.P.T. bottom connection. Brushed copper or white nickel plated finish available; consult factory.

- NOTES:**
- Requires non-turbulent water supply for optimum effect.
 - Fine screening at pump to minimize nozzle clogging is recommended for optimum effect.
 - Use non-shaded area for best results for optimum effect.
 - Due to continuing product improvement program, Roman Fountains reserves the right to change the specifications without notice.

TECHNICAL AND HYDRAULIC DATA								
MODEL No	DIMENSIONS			SPRAY DIAMETER	PERFORMANCE			
	DIM 'A'	DIM 'B'	INLET N.P.T. (Female)					
					12"	24"	30"	48"
RBJ-512	12"	1 5/8"	1/2"	GPM	6.0	9.0	10.0	
				HEAD	3'	5'	6'	
RBJ-112	12"	3 3/8"	1"	GPM	9.0	11.0	12.0	13.0
				HEAD	3'	5'	6'	8'

DRAWING NO.
1.712