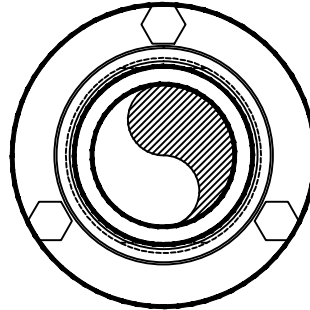
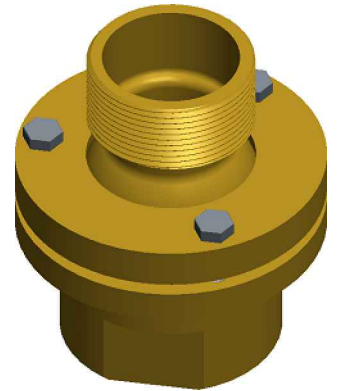


ELEVATION



PLAN VIEW



3D IMAGE

SPECIFICATION DATA: Bronze Swivel Assembly 15°, machined brass construction with (F) N.P.T. bottom, and (M) N.P.T. top connections, stainless steel fasteners, 15° maximum adjustment angle in a 360° cone.

DESIGN/APPLICATION DATA: RSA-Series bronze swivel assemblies are used to provide angle adjustment and directional alignment on spray nozzles.

NOTES: 1. 15° Maximum offset from vertical.

2. Due to continuing product improvement program, Roman Fountains reserves the right to change the specifications without notice.

TECHNICAL DATA			
MODEL NO.	(M x F) N.P.T.	A	B
RSA-050	1/2"	1.62"	1.75"
RSA-075	3/4"	2.60"	2.60"
RSA-100	1"	2.60"	2.82"
RSA-125	1 1/4"	3.25"	3.46"
RSA-150	1 1/2"	3.65"	3.83"
RSA-200	2"	4.00"	4.45"
RSA-300	3"	6.00"	6.10"
RSA-400	4"	7.75"	7.36"

DRAWING NO.
1.802