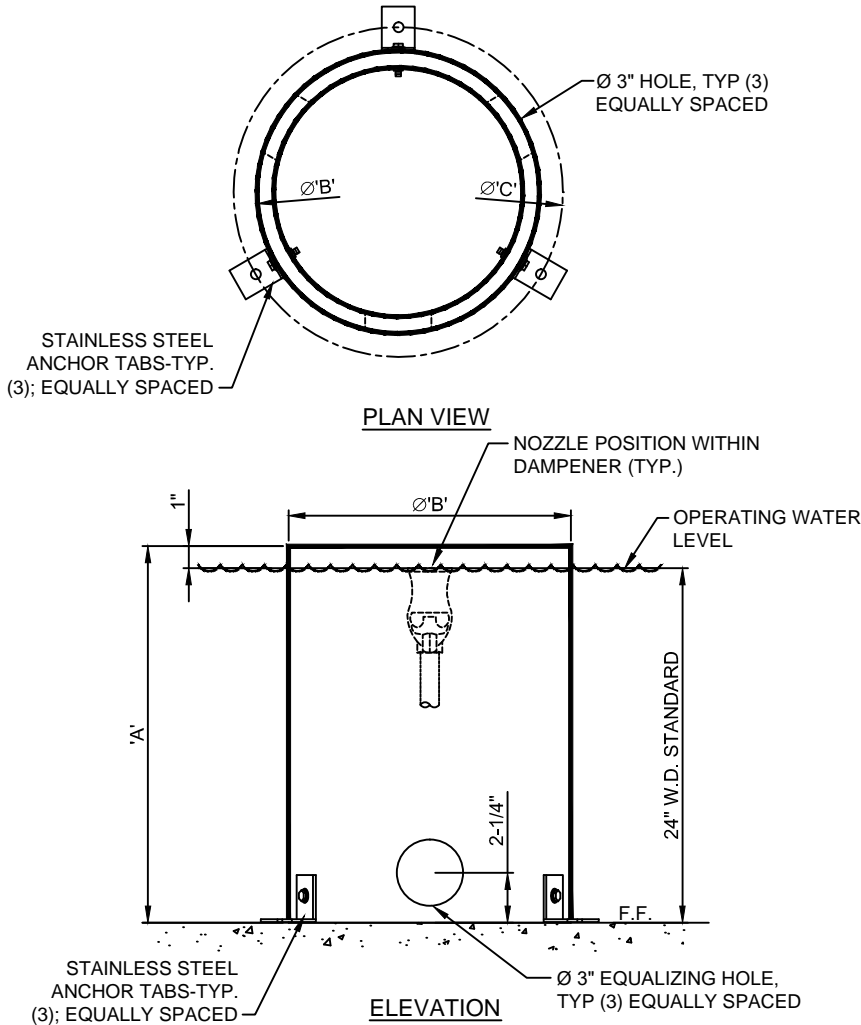




(877) 794-1802

**RWD-P SERIES,
PVC WAVE DAMPENER**



SPECIFICATION DATA: RWD-P Series, PVC Wave Dampener assembly shall consist of Sch. 80 PVC construction and SS anchor tabs. Anchor tabs contain clearance holes for 1/4" anchoring hardware (By Installer).

DESIGN/APPLICATION DATA: Center the wave dampener around nozzle; 'A' dimension based on top portion of unit extending to 1" above operating water level. Secure unit to floor with stainless steel or brass hardware as required (By Installer).

NOTE: Due to continuing product improvement program, Roman Fountains reserves the right to change the specifications without notice.

TECHNICAL DATA			
Model No.	'A'	'B'	'C'
RWD-8-P	25"	8"	10-3/4"
RWD-10-P	25"	10"	12-7/8"
RWD-12-P	25"	12"	14-7/8"

DRAWING NO.
1.811