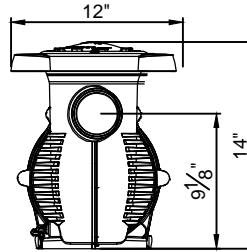
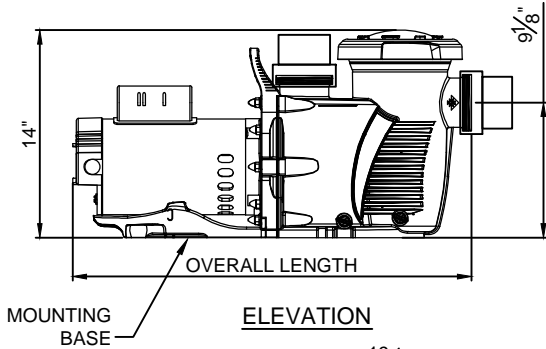


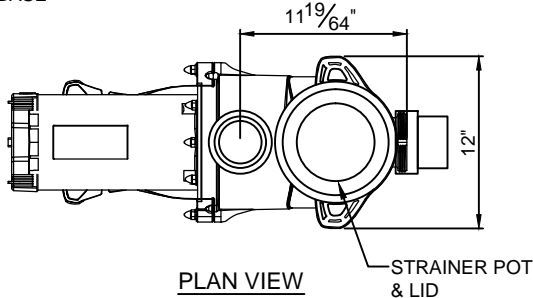


(877) 794-1802

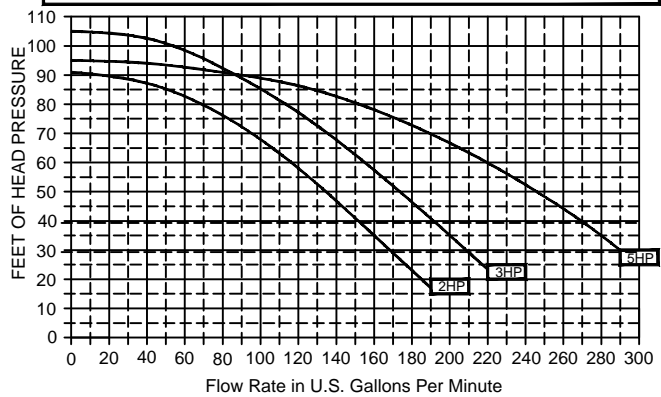
RWSP-XF SERIES, SELF-PRIMING PUMP



U.L. listing for single-phase pump only



Single Speed Horsepower Performance Curve @ 3,450 RPM



TECHNICAL AND HYDRAULIC DATA			
MODEL No.	HP	Overall Length	Suct./Disch. (F) N.P.T.
RWSP-XF-200	2	24-1/2"	2.5"/3" x 2.5"/3"
RWSP-XF-300	3	24-1/2"	2.5"/3" x 2.5"/3"
RWSP-XF-500	5	24-3/4"	2.5"/3" x 2.5"/3"

SPECIFICATION DATA: Self-Priming, High Performance Pump; Made of 40% glass-filled thermoplastic for extreme heat and corrosion resistance. Extra-large capacity, single piece strainer pot (with .15" openings)/volute for increase strength and quieter operation, with easy release, clear 'Lexan' cover. Pump uses stainless steel fasteners throughout. Commercial grade 56 frame motor, continuous duty, energy efficient motor available in both 208-230 Volt Single-Phase & 208/230/460 Volt, Three-Phase power.

DESIGN/APPLICATION DATA: Roman Fountains RWSP-XF Series single stage, centrifugal self-priming pumps are designed for general pumping service from dry, remote locations. Designed for use above or below fountain pool water level elevation, their compact design conserves pump room floor space while permitting maximum operating efficiency in a horizontal position. Applications include small to medium architectural fountain systems requiring a remote pumping system. Capacities range from 60 to 280 GPM at 25 to 90 feet of head.

- NOTES:**
1. Pump motor must be adequately guarded against heat, dirt and moisture.
 2. Pump room must be ventilated at a rate of 25 CFM per horsepower.
 3. Maximum recommended suction lift: 4' above lowest pool water level; suction side of pump will require a check valve for self-priming applications (By Installer).
 4. Due to continuing product improvement program, Roman Fountains reserves the right to change the specifications without notice.

DRAWING NO.
3.102