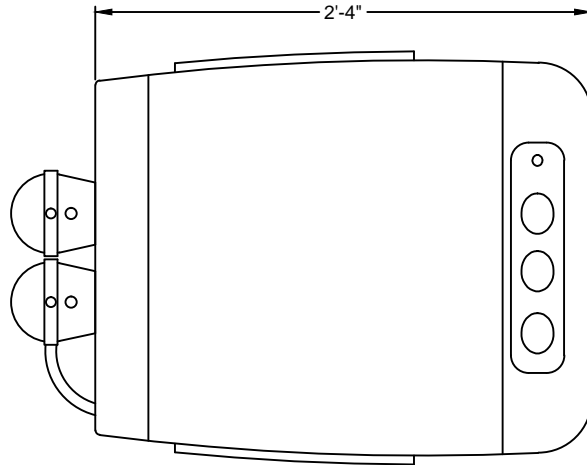


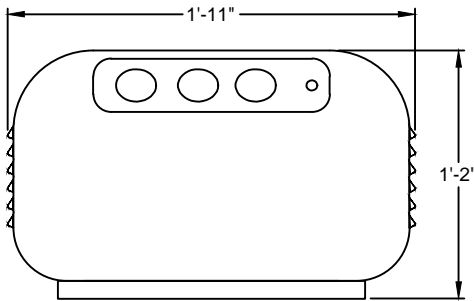


(877) 794-1802

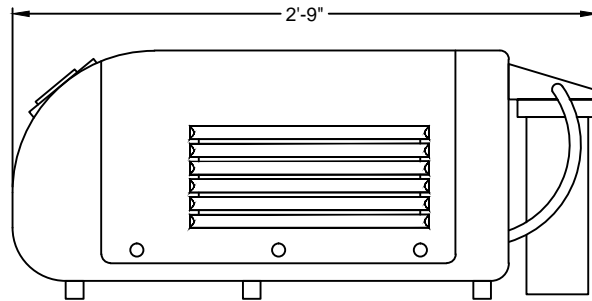
RHMP SERIES, HIGH PRESSURE FOG/MIST PUMP ASSEMBLY



PLAN



FRONT ELEVATION



SIDE ELEVATION

TECHNICAL DATA				
MODEL NO.	Flow Rate (Gpm)	Voltage/Phase	Motor HP/Kw	F.L.A.
RHMP-05-S	0.15	115/208/230-Single	1HP/.75 Kw	13.4/6.8/6.7
RHMP-10-S	0.30	115/208/230-Single	1HP/.75 Kw	13.4/6.8/6.7
RHMP-17-S	0.50	115/208/230-Single	1HP/.75 Kw	13.4/6.8/6.7
RHMP-35-S	1.10	115/230-Single	2HP/1.12 Kw	18.8/9.4
RHMP-68-S	2.20	115/230-Single	2HP/1.12 Kw	18.8/9.4

SPECIFICATION DATA: High Pressure Pump Module consisting of U.V. resistant, sound absorbing, polyethylene enclosure featuring dual layer protection for electrical controls. Unit includes integrated oil pan for service, dual filtration for scale inhibition, glycerin-filled gauges at inlet and outlet, hour meter showing system usage and on/off/auto switch.

DESIGN/APPLICATION DATA: For use in de-watering vaults, pits, sumps and reservoirs. Intermittent duty only. Not to be used for heavy de-watering applications.

- NOTES:**
1. Model number denotes number of nozzles supported with unit. Fog nozzles sold separately. contact factory.
 2. Pump has a 1,000 psi (69 bar) factory setting; maximum pressure is 1,200 psi (103 bar).
 3. Minimum inlet supply line: 1/2". Inlet pressure: 20psi (1.4 bar) minimum/60psi (4.1 bar) maximum.
 4. Due to continuing product improvement program, Roman Fountains reserves the right to change the specifications without notice.

DRAWING NO.
3.124
R1_09-14-18