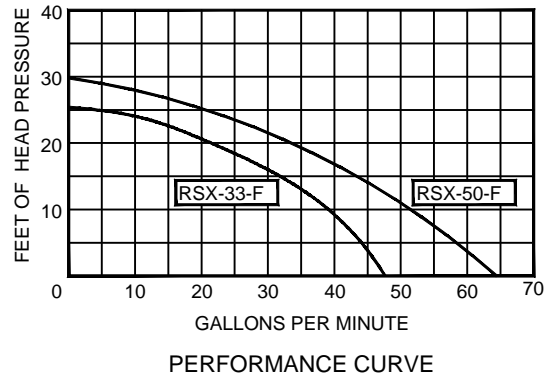
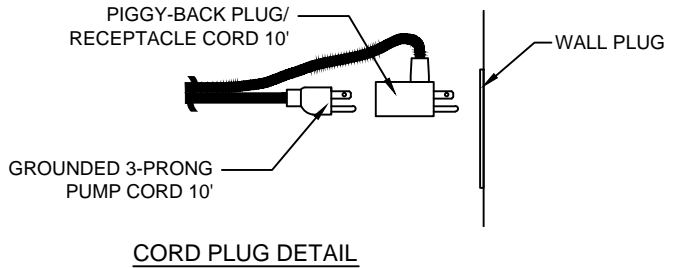
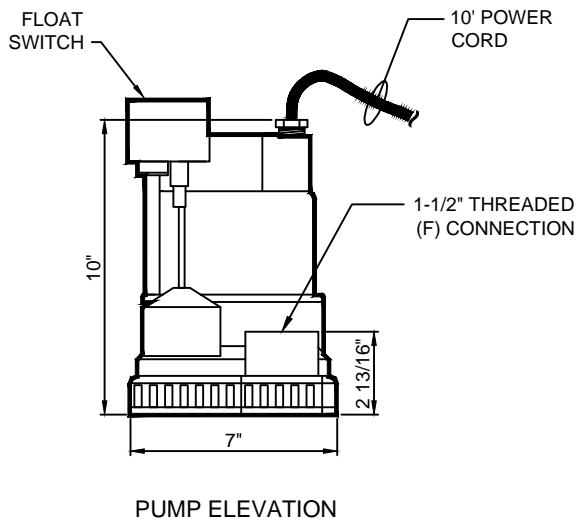
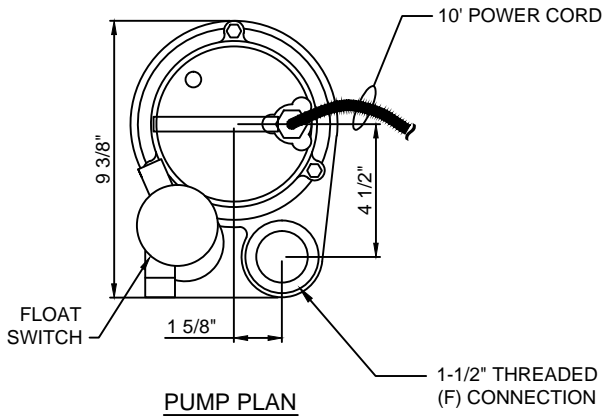




(877) 794-1802

RSX-F SERIES, SUBMERSIBLE SUMP PUMP WITH FLOAT SWITCH



MINIMUM SUMP DIA: 18"
 APPROX. 'ON' LEVEL: 9-1/2"
 APPROX. 'OFF' LEVEL: 3-7/8"

SPECIFICATION DATA: Submersible Sump Pump constructed of epoxy coated cast iron construction, oil filled motor, with 1-1/2" threaded female connection, and bottom base strainer, with piggy-back 115V plug/receptacle. Power Requirement: RSX-33-F, 1/3 HP, 115V, single-phase, 12.0 FLA / RSX-50-F, 1/2 HP, 115V, single-phase, 15.0 FLA

DESIGN/APPLICATION DATA: For use in de-watering vaults, pits, sumps and reservoirs. Intermittent duty only. Not to be used for heavy de-watering applications.

- NOTES:**
- IMPORTANT:** The sump pump must be manually tested once each month minimum, during maintenance checks, to ensure continued operation.
 - Due to continuing product improvement program, Roman Fountains reserves the right to change the specifications without notice.

DRAWING NO.
3.208
 R1_09-14-18