

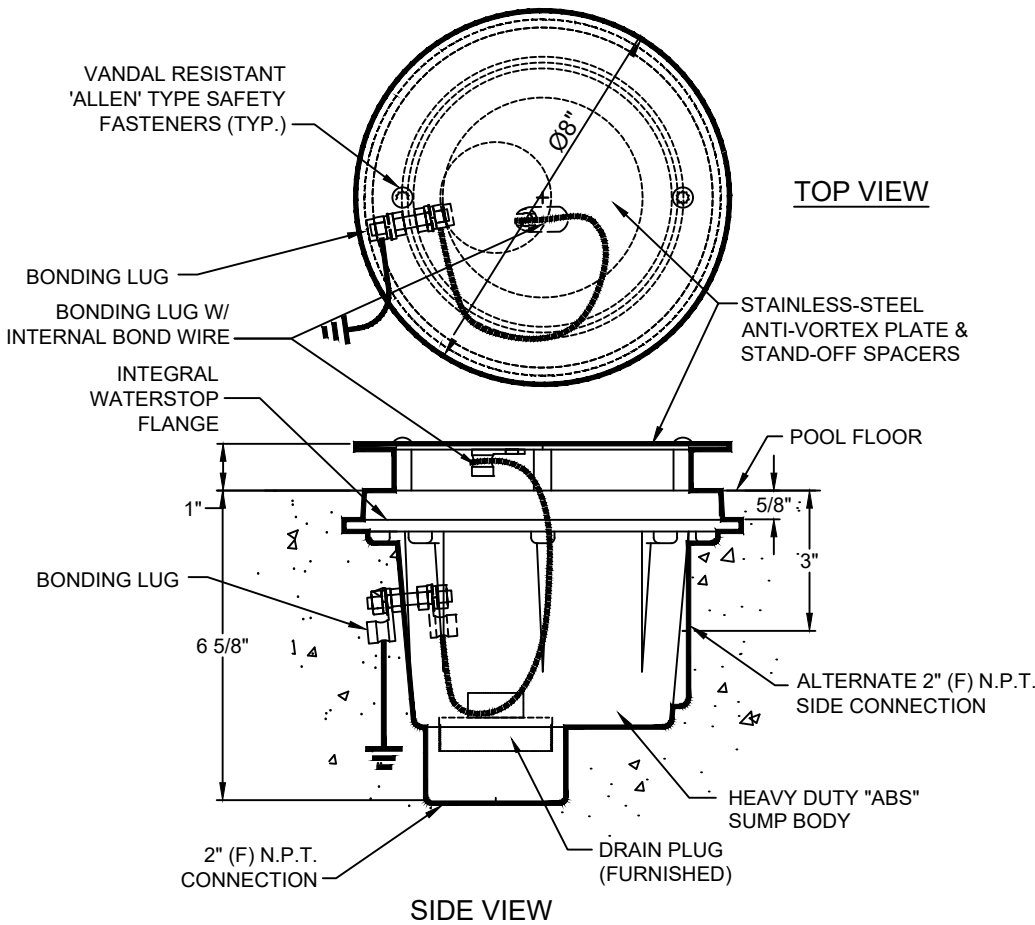


(877) 794-1802

# RAVS-800-SS, 8" DIA. ANTI-VORTEX PLATE & SUMP ASSEMBLY



RECOMMENDED MAXIMUM FLOW RATE: 50 GPM @ 16" WATER DEPTH



### SAFETY NOTICE

THE ANTI-VORTEX PLATE MUST BE FIRMLY IN PLACE AND SECURELY FASTENED TO SUMP BODY AT ALL TIMES TO GUARD AGAINST THE POSSIBILITY OF SUCTION ENTRAPMENT. NEVER REMOVE PLATE UNLESS FOUNTAIN IS SHUT OFF AND COMPLETELY DRAINED.

**SPECIFICATION DATA:** 8" Diameter Anti-Vortex Plate & Sump Assembly; Heavy Duty injection molded ABS plastic sump, integral waterstop and 2" (F) N.P.T. side and bottom connections with PVC male threaded plug for un-used connection, 8" diameter stainless-steel anti-vortex plate and "ALLEN" type S.S. vandal resistant safety fasteners and wrench.

**DESIGN/APPLICATION DATA:** Roman Fountains RAVS-800, anti-vortex plates and sumps are designed for use in fountains and reflecting pools using remote pumping systems. Used as primary suction fittings for filtration systems and smaller fountain systems, they provide a pre-fabricated mechanism for returning water from pool to pump, eliminating vortexing (drawing air into the pump) and promoting efficient circulation.

- NOTES:**
1. If this is the primary suction source for the recirculation system, use two (2) units minimum, to lessen the risk of suction entrapment.
  2. 25 SQ. inch open area = .810 FPS suction velocity @ 50 GPM.
  3. Recommended maximum flow rate: 50 GPM @ 16" water depth.
  4. Brass plate available upon request. Longer lead times may apply.
  5. Due to continuing product improvement program, Roman Fountains reserves the right to change the specifications without notice.