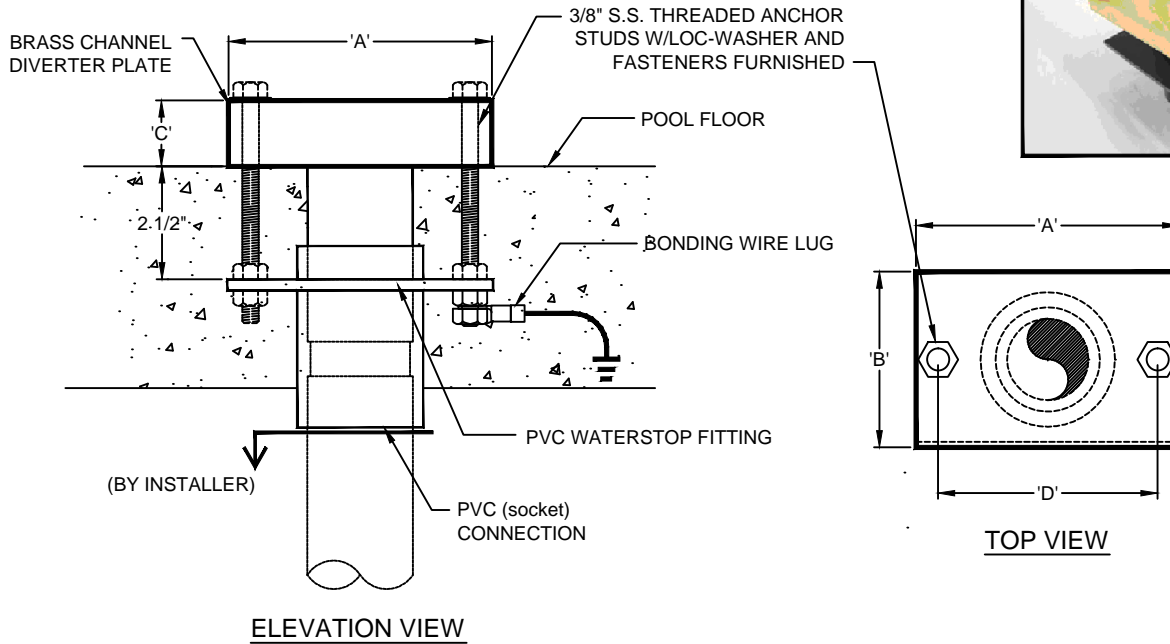
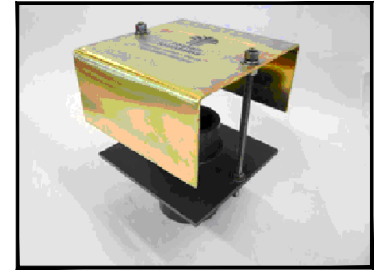




(877) 794-1802

RA/DP SERIES, ANTI-VORTEX/ DIVERTER PLATE/WATERSTOP ASSY.



TECHNICAL DATA						
MODEL NO.	'A' DIM	'B' DIM	'C' DIM	'D' DIM	MAX. PIPE SIZE	MAXIMUM FLOW RATE @ 16" W.D.
RA/DP-662	6"	6"	2"	4-1/2"	2"	50 GPM
RA/DP-884	8"	8"	4"	6-1/2"	3"	100 GPM
RA/DP-10104	10"	10"	4"	8-1/2"	4"	200 GPM
RA/DP-12124	12"	12"	4"	10 1/2"	6"	400 GPM

SPECIFICATION DATA: Anti-Vortex/Diverter Plate/Waterstop Assembly; Channel plate of single piece 1/8" thick brass plate, brushed natural finish, with 7/16" clearance holes for 3/8" stainless steel anchoring hardware, PVC waterstop slab penetration fitting fabricated from schedule 80 PVC with solvent welded waterstop flange, PVC (socket) bottom connection with 3/8" S.S. anchor studs and hardware sets.

DESIGN/APPLICATION DATA: RA/DP Series anti-vortex/diverter plate assemblies are intended for use as either an anti-vortex (suction) device or as a diverter (discharge) device in narrow troughs and pools where bi-directional flow is required, and surface turbulence needs to be minimized.

- NOTES:**
1. Use fittings in multiples if necessary to achieve balanced flow
 2. Flow rates are based on a 16" minimum water depth.
 3. Locate fittings to allow sufficient clearance around open ends of plate.
 4. Additional sizes available, call factory for details.
 5. Due to continuing product improvement program, Roman Fountains reserves the right to change the specifications without notice.

DRAWING NO.
3.322