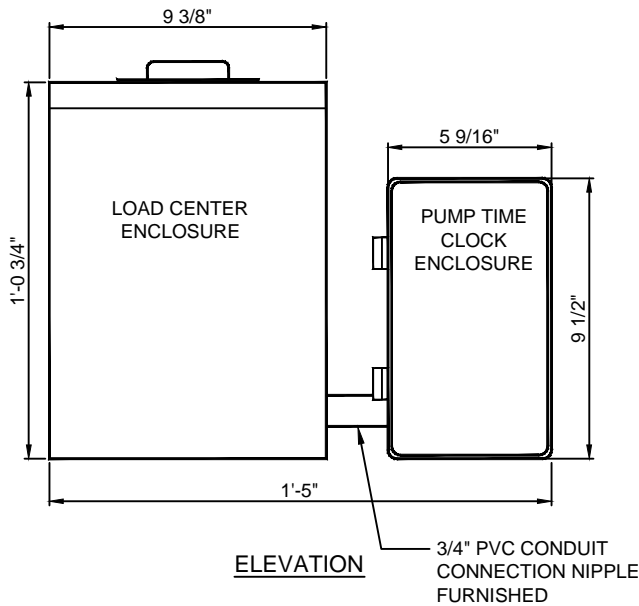


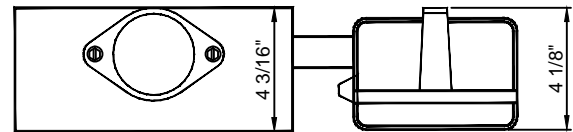


(877) 794-1802

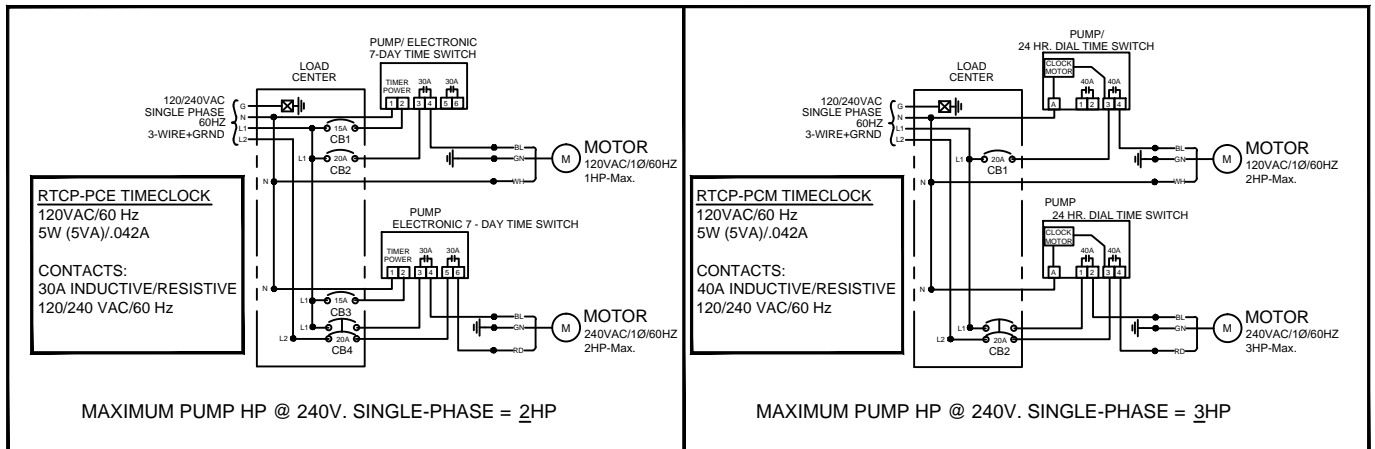
# RTCP-PC SERIES, TIMECLOCK/LOAD CENTER ASSEMBLY FOR PUMPS



TIMECLOCK/LOAD CENTER ASSEMBLY SHOWN WITH OPTIONAL STAINLESS STEEL BACKING PLATE



**PLAN VIEW**



**SPECIFICATION DATA:** Timeclock/Load Center Assembly for Pumps, unit consists of a timeclock with (inductive) contacts mounted in a NEMA 3R enclosure and a 2 pole-100A load center with Class 'A' G.F.C.I. breaker mounted in NEMA 4 enclosure.

**NOTE:** Due to continuing product improvement program, Roman Fountains reserves the right to change the specifications without notice.

DRAWING NO.  
**3.412**  
R1\_09-14-18