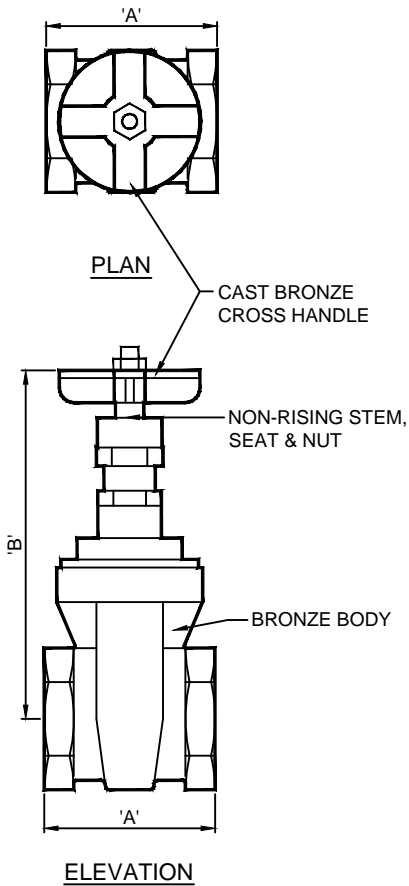




(877) 794-1802

# RGV SERIES, THREADED GATE VALVE



TECHNICAL DATA			
MODEL NO.	N.P.T. CONNECTION	'A' DIMENSION	'B' DIMENSION
RGV-050	1/2"	1 15/16"	3 5/8"
RGV-075	3/4"	2 1/16"	3 15/16"
RGV-100	1"	2 7/16"	4 11/16"
RGV-125	1 1/4"	2 5/8"	5 1/14"
RGV-150	1 1/2"	2 7/8"	6 1/4"
RGV-200	2"	3 1/16"	7 1/16"
RGV-250	2 1/2"	4 1/8"	8 7/16"
RGV-300	3"	4 1/2"	10"

\* DIMENSIONS APPROXIMATE

**SPECIFICATION DATA:** Threaded 'Gate' Valve; solid wedge disc and non-rising stem, cast bronze 'cross' handle, valve body of bronze construction with (F) N.P.T. end connections. Conforms to MSS-SP-80, Type 1, Class 125.

**NOTES:** 1. FOR SUBMERSIBLE APPLICATIONS REMOVE VALVE HANDLE ONCE ADJUSTED.

2. Due to continuing product improvement program, Roman Fountains reserves the right to change the specifications without notice.

DRAWING NO.  
**3.710**