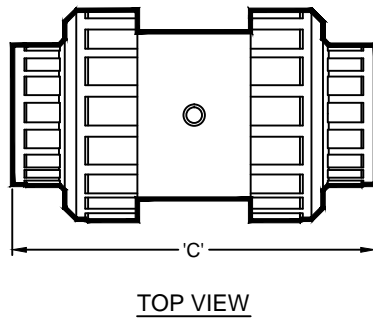
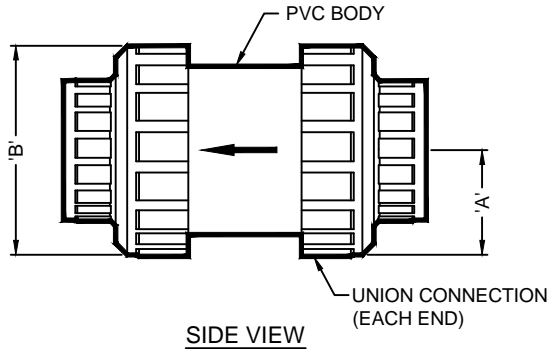




(877) 794-1802

**RPCV SERIES, PVC
'TRUE-UNION' CHECK VALVE**



TECHNICAL DATA				
MODEL NO.	SIZE	'A'	'B'	'C'
RPCV-075	3/4"	1-1/4"	2-3/4"	5-7/8"
RPCV-100	1"	1-3/8"	2-3/4"	4-15/16"
RPCV-125	1-1/4"	1-5/8"	3"	4-15/16"
RPCV-150	1-1/2"	2"	4"	6-9/16"
RPCV-200	2"	2-3/8"	4-3/4"	7-3/4"
RPCV-300	3"	3-3/4"	7-1/2"	11-3/4"

SPECIFICATION DATA: PVC 'True-Union' Spring Check Valve, featuring PVC Schedule 80 construction with EPDM 'O' rings, stainless steel compression spring, socket or threaded end connections. Spring cracking pressure: 1 PSI.

DESIGN/APPLICATION DATA: RPCV Series PVC spring check valves are designed and manufactured for use in piping systems where a possibility of back-siphoning exists, primarily from an upper pool level to a lower pool elevation. Available in a standard sizes, they are installed on display and filter piping systems.

NOTE: Due to continuing product improvement program, Roman Fountains reserves the right to change the specifications without notice.

DRAWING NO.
3.716
R1_09-30-18