

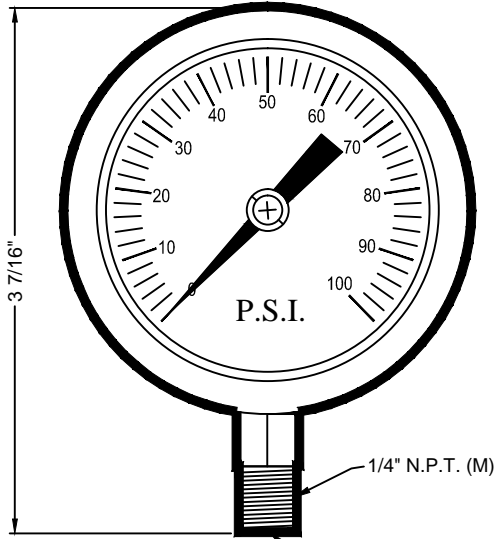


(877) 794-1802

RPG SERIES, LIQUID FILLED
PRESSURE GAUGE

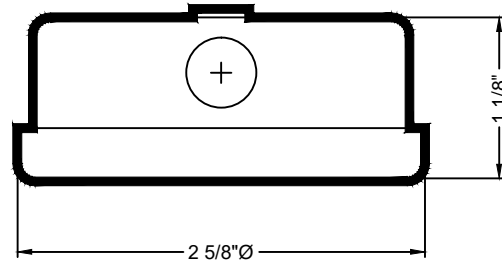


LIQUID FILLED



ELEVATION

GAUGE 'SNUBBER' & PET-COCK VALVE RECOMMENDED WHEN INSTALLING GAUGES.



TOP VIEW

- 0-30 PSI PRESSURE RANGE
- 0-60 PSI PRESSURE RANGE
- 0-100 PSI PRESSURE RANGE

MUST BE INSTALLED VERTICALLY

SPECIFICATION DATA: Liquid Filled Pressure Gauge; 2-1/2" standard liquid filled pressure gauge featuring 100 PSI pressure range, durable Stainless steel case, acrylic window, bronze bourdon tube, 1/4"N.P.T. brass bottom connection, 3-2-3% accuracy, glycerin filled case, patented spring suspended movement.

NOTE: Due to continuing product improvement program, Roman Fountains reserves the right to change the specifications without notice.

DRAWING NO.
3.801