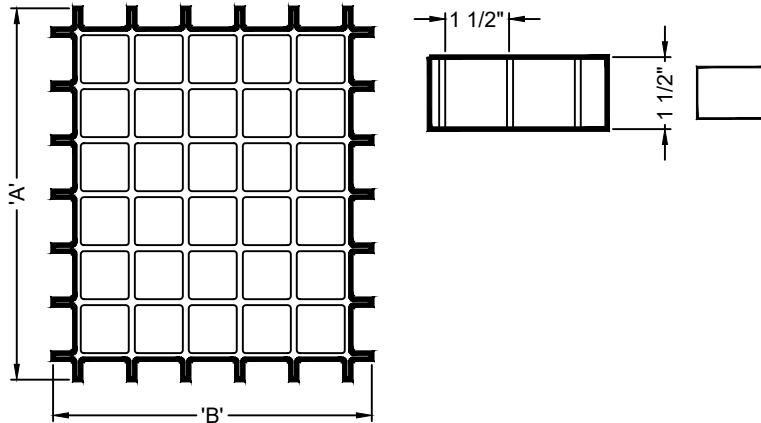
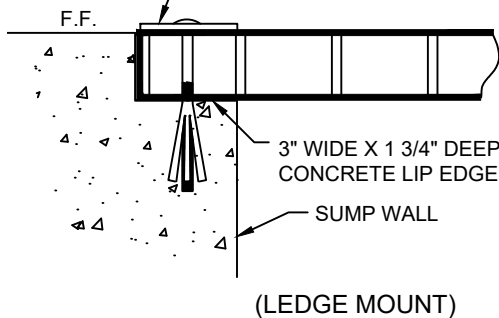


SPECIFY SIZE: 'A' = ___ " 'B' = ___ "

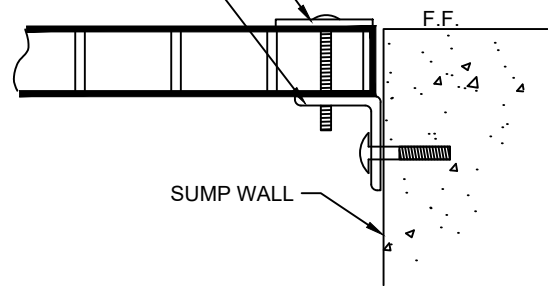


TAMPER RESISTANT STAINLESS STEEL ANCHOR BOLTS WITH WASHERS RECOMMENDED FOR ALL INSTALLATIONS FOR SAFETY AND VANDALISM CONCERNS.

2"x2" STAINLESS STEEL ANGLE BRACKETS AND ANCHORS (BY INSTALLER)



(LEDGE MOUNT)



(BRACKET MOUNT)

POSSIBLE/TYPICAL GRATE INSTALLATION METHODS (BY INSTALLER)

SPECIFICATION DATA: Fiberglass Grating; High strength polyester reinforced plastic, balanced glass-to-resin ratio for optimum corrosion resistance and strength. Dark gray color for minimum visual intrusion. 1 1/2" square hole pattern for maximum flow through area. Standard sheet size: 96"x 48". Cut in field as required.

DESIGN/APPLICATION DATA: RFG Series polyester reinforced sump grate material is used for pool sump covers, where a large open area is desired. Extremely strong and lightweight, this material can be cut on site to virtually any size requirement, and is man-safe due to its high load and deflection properties.

NOTE: Due to continuing product improvement program, Roman Fountains reserves the right to change the specifications without notice.

DRAWING NO.
3.804