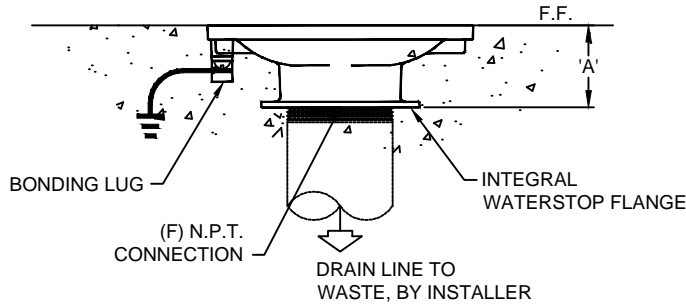


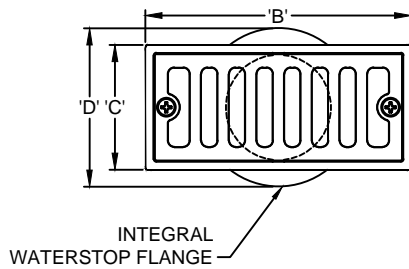


(877) 794-1802

# ROVS-200-F, FLOOR DRAIN/RETURN FITTING



ELEVATION VIEW



TOP VIEW

TECHNICAL DATA						
Model No.	Connection Size	Dimension 'A'	Dimension 'B'	Dimension 'C'	Dimension 'D'	Open Area
ROVS-200-F	2"	1-7/8"	6"	2-13/16"	3 9/16"	5.2 Sq. In.

**SPECIFICATION DATA:** Floor Inlet/Drain Fitting, cast bronze body with removable bronze grate; stainless steel fasteners; integral waterstop flange with bonding screw and (F) N.P.T. connection.

**DESIGN/APPLICATION DATA:** ROVS-F Series floor inlet/drain fittings are designed for use in fountain and reflection pools in conjunction with a remote drain valve (by others) or, they may be used as upper pool floor drains in conjunction with RFD Series, floor drains (avail. as accessory item) installed in lower pool sidewall (see detail above).

- NOTES:**
1. Installer must consult local codes for termination of drain lines.
  2. Due to continuing product improvement program, Roman Fountains reserves the right to change the specifications without notice.

DRAWING NO.  
**4.102**  
R3\_10-02-18