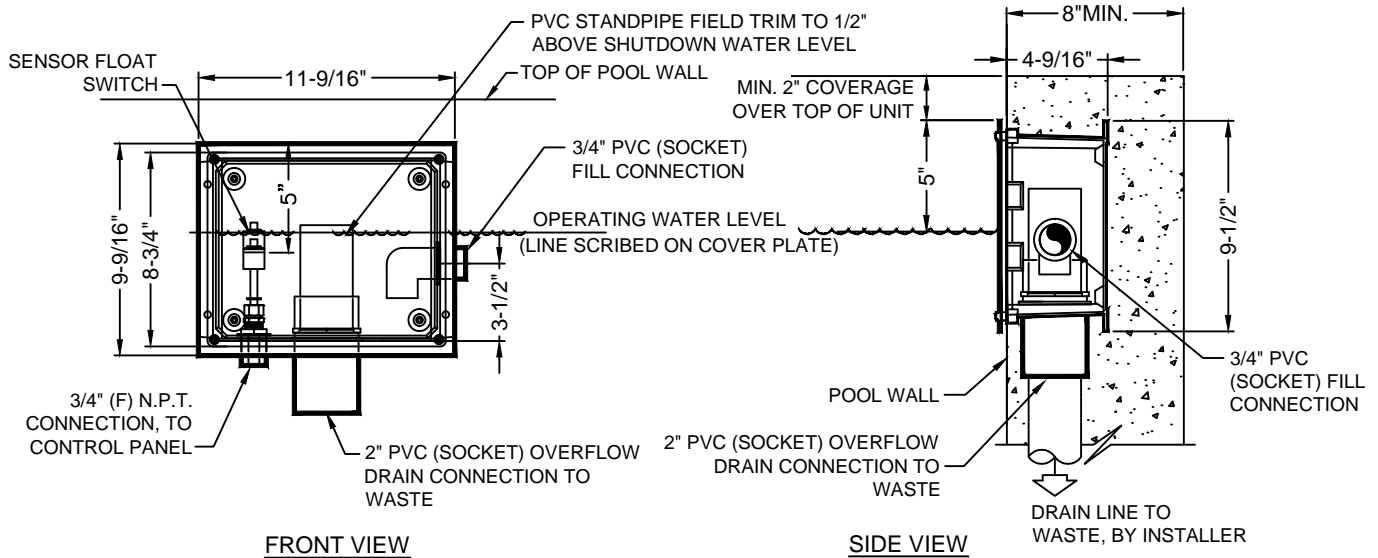




(877) 794-1802

RCOM-WNDF, WALL-MTD. COMBO OVER-FLOW/MAKE-UP/CUTOFF/FILL HOUSING



SPECIFICATION DATA: Wall-Mounted Combination Overflow/Water Make-up/Low Water Cut-off/Fill Housing. Consists of molded thermoplastic sensor/overflow housing with brass cover plate; stainless steel fasteners; sensor compression fitting; 3/4" (F) N.P.T. conduit entry; 2" adjustable overflow; 3/4" (F) PVC (socket) fill connection. Unit features multi-level float-type sensor of brass and Buna-N construction with a 1-3/4" adjustability range and includes 100 feet of pre-attached, 4-conductor, color-coded sensor cable. When purchasing as a component system, package must include a RCOM-PNL Series, dual function solid-state water level control panel; see catalog cut sheet 4.210 RCOM-PNL3 for panel rated for 120 VAC with internally transformed 24 volt sensor output circuit.

- NOTES:**
1. A normally closed, electrically actuated, 120VAC solenoid valve is required to operate water makeup function; specify RSV Series valve. (Ref. Cat. sheet 4.403)
 2. A lighting and/or motor contactor is required to operate the low level cutoff function; consult factory.
 3. The PVC overflow standpipe is removable and is furnished full height, to provide a 1/2" margin above the sensor 'high limits' position; trim as required, and reinsert.
 4. This unit is to be used in applications where shut-down gain is 2-1/2" or less.
 5. Do not run sensor wire in conduit with any other conductors.
 6. Do not over tighten brass cover plate screws into niche!
 7. NEMA rated enclosure available for outdoor use on special order; consult factory.
 8. Installer must consult local codes for termination of drain lines
 9. Due to continuing product improvement program, Roman Fountains reserves the right to change the specifications without notice.