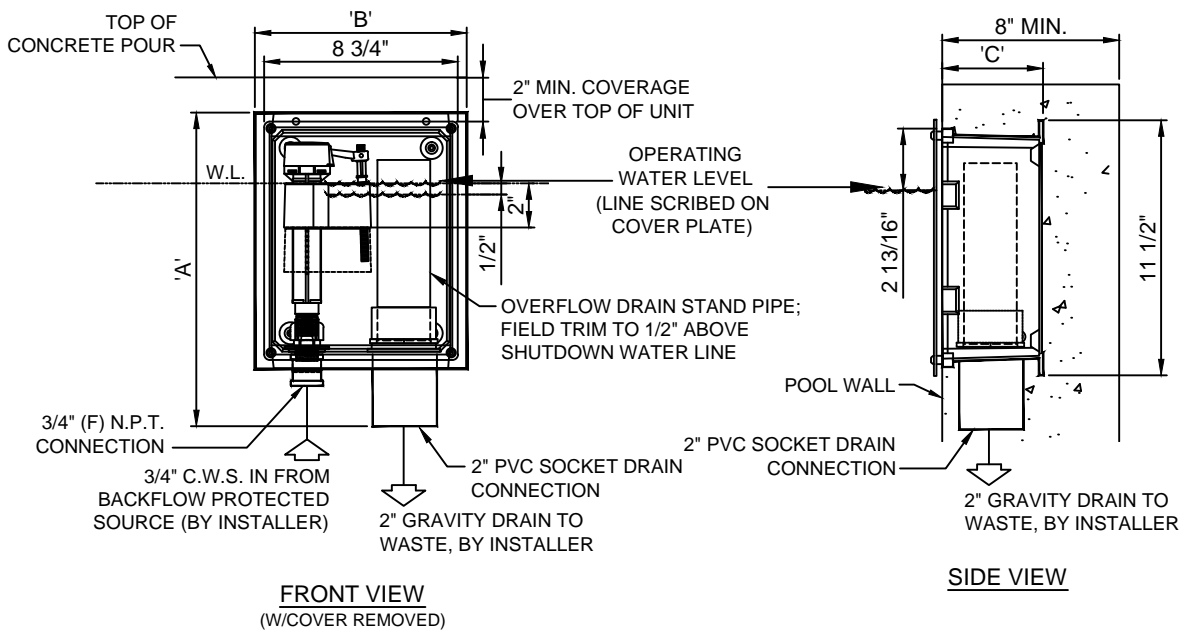
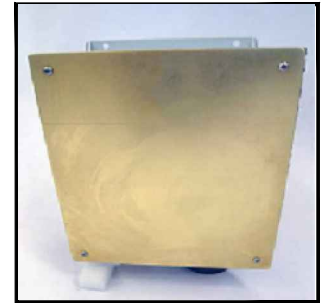




(877) 794-1802

RNB-075-WND MECHANICAL WALL-MOUNTED WATER MAKE-UP/OVERFLOW



TECHNICAL DATA							
MODEL NO.	C.W.S. CONNECTION	OVERFLOW DRAIN CONNECTION	OVERALL HEIGHT 'A'	OVERALL WIDTH 'B'	OVERALL DEPTH 'C'	MINIMUM P.S.I.	MAXIMUM P.S.I.
RNB-075-WND	3/4" (F) N.P.T.	2" PVC SOCKET	14 1/8"	9 9/16"	4 9/16"	30	50

SPECIFICATION DATA: Mechanical Wall-Mounted Water Level Control System, consisting of a rugged molded fiberglass niche, brass cover plate with brushed finish, vandal resistant stainless steel fasteners (Torx Pin-in T-25 wrench included), overflow standpipe with 2" PVC (slip) connection, ABS float assembly, 3/4" (F) N.P.T. brass C.W.S. connection (**from backflow preventer protected supply**).

DESIGN/APPLICATION DATA: Roman Fountains RNB-075-WND, mechanical water makeup device is used in small to medium pool applications to make up water lost due to evaporation or splash and also serves as an overflow drain outlet. Its compact design allows for low profile, discrete installation.

- NOTES:**
1. Water level float is adjustable after installation, within a 1" range, float valve and water supply source must be fully drainable in freezing climates.
 2. Do not over tighten brass cover plate screws into niche.
 3. Due to continuing product improvement program, Roman Fountains reserves the right to change the specifications without notice.

DRAWING NO.
4.303