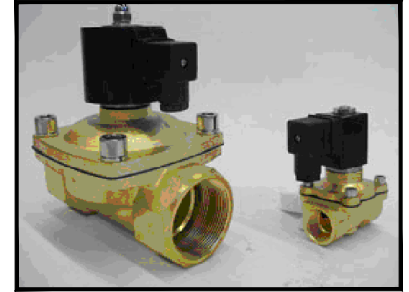
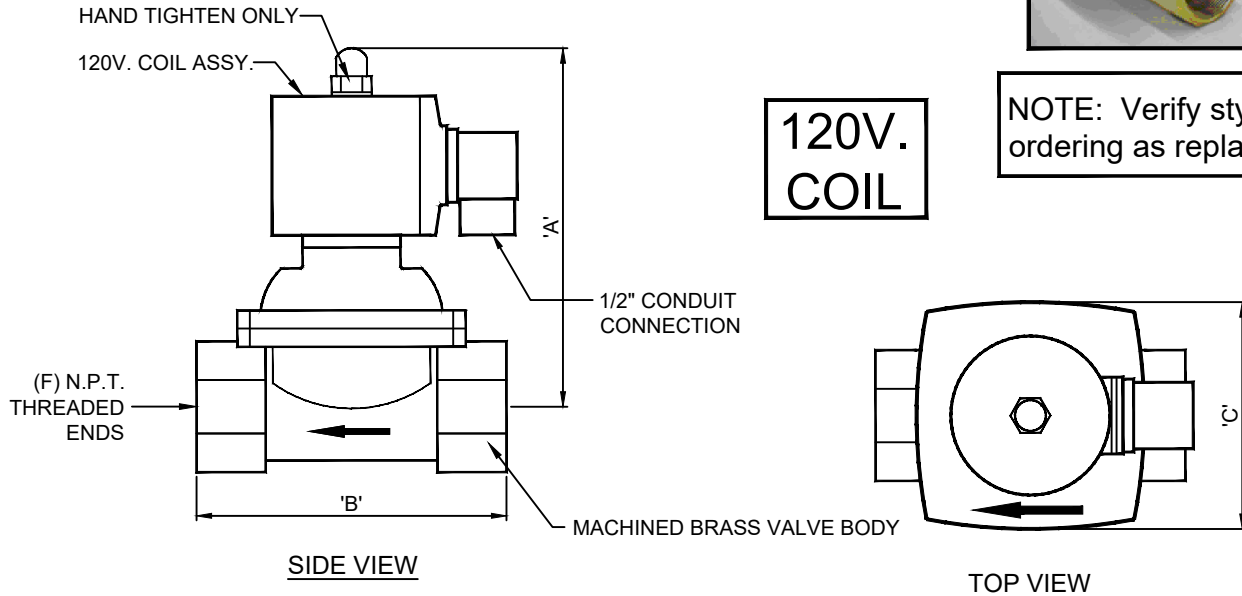


## RSV-S SERIES, ELECTRICALLY ACTIVATED N/C SOLENOID VALVE



**120V.  
COIL**

**NOTE:** Verify style when ordering as replacement part.



TECHNICAL DATA					
MODEL NO.	CONNECTION SIZE (F) N.P.T.	'A' DIMENSION	'B' DIMENSION	'C' DIMENSION	COIL WATTAGE
RSV-075-S	3/4"	4 1/4"	2 7/8"	2 1/4"	20.0
RSV-100-S	1"	4 3/8"	3 7/8"	2 15/16"	20.0
RSV-150-S	1 1/2"	5 5/8"	4 13/16"	3 3/4"	35.0
RSV-200-S	2"	6 3/4"	6 5/8"	4 7/8"	35.0

**SPECIFICATION DATA:** Electrically Actuated, 2-way direct-lift diaphragm type Solenoid Valve with zero pressure differential; consisting of a machined brass body, IP-65 water resistant solenoid coil housing, with 1/2" threaded conduit connection with coil rated for 120 VAC, 60Hz., valve is pressure rated: vacuum to 150 PSI, operating temperature -5 to 80°C. Valve condition is normally closed, energize-to-open.

**DESIGN/APPLICATION DATA:** Roman Fountains RSV-S Series normally closed solenoid valves are designed for use with fountains and reflecting pools in conjunction with RCOM Series electronic water makeup systems. Installed on the incoming fresh water line to the pool, they open on electrical command, allowing fresh water to enter the pool.

**NOTES:**

1. Hand tighten the stem nut on top of solenoid valve to 0.5 lb-ft max ("hand tight")
2. Due to continuing product improvement program, Roman Fountains reserves the right to change the specifications without notice.

**DRAWING NO.  
4.403**