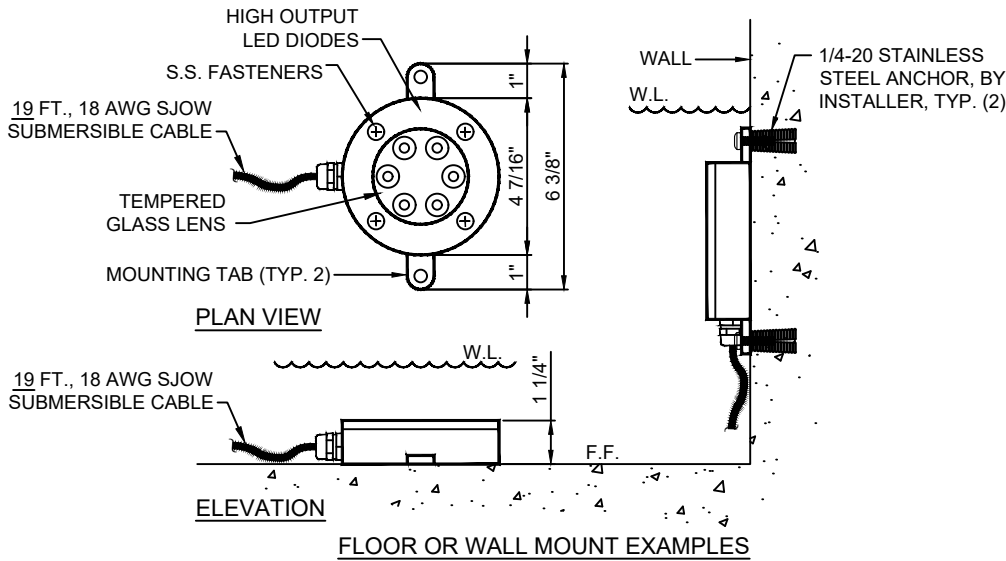


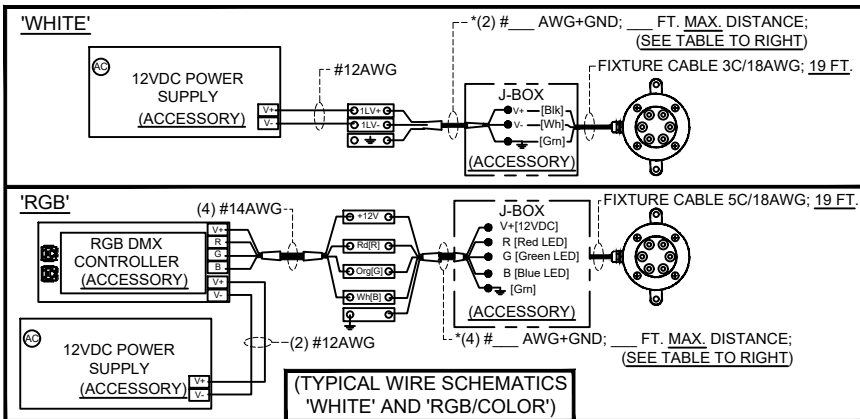


RFL-HP-LED SERIES, 'HOCKEY PUCK' LED LIGHT FIXTURE

(877) 794-1802



LED
12VDC



*MAXIMUM CABLE LENGTH FOR A SINGLE RUN						
LOAD AT 12VDC	AMPS	MAXIMUM CABLE LENGTH TO THE LAST FIXTURE IN A CABLE RUN BY WIRE SIZE				
WATTS	AMPS	#14	#12	#10	#8	#6
25-30	2.0-2.5	35FT.	60FT.	100FT.	150FT.	
31-36	2.5-3.0	30FT.	50FT.	80FT.	125FT.	175FT.
37-42	3.0-3.5		45FT.	70FT.	100FT.	175FT.
43-55	3.5-4.6		35FT.	55FT.	80FT.	135FT.
56-75	4.7-6.3		25FT.	40FT.	60FT.	100FT.
76-100	6.4-8.3		20FT.	30FT.	50FT.	75FT.
101-112	8.4-9.3		15FT.	25FT.	40FT.	65FT.

TECHNICAL DATA							
MODEL NO.	LIGHT SOURCE	LIGHT COLOR	BEAM ANGLE	INPUT VOLTAGE	WATTS	CABLE TYPE	IP RATING
RFL-HP-LED-W	6X3W WHITE DIODES	COOL 'WHITE' (5000K)	45 DEG.	12VDC	*18.0	18-3 AWG SJOW	68
RFL-HP-LED-RGB	6X3W RGB DIODES	'RGB'	45 DEG.	12VDC	*18.0	18-5 AWG SJOW	68

*NOTE: THIS FIGURE REPRESENTS THE MAXIMUM POSSIBLE LOAD FOR THIS FIXTURE.

SPECIFICATION DATA: Small diameter, low profile LED submersible light fixture for floor or wall mounting. High output LED diodes, stainless steel housing and fasteners with two mounting tabs, tempered glass lens, silicone lens gasket, chromed brass cord entrance fitting; 19 ft. of 18 AWG SJOW cable (not available with additional cord length).

DESIGN/APPLICATION DATA: Any fountain application where a compact, low profile high output LED submersible light fixture is required.

- NOTES:**
- 12VDC Power supply required to operate fixtures. Contact factory for requirements.
 - 'DMX' Controller required to operate 'RGB' fixtures in programmable mode. Contact factory for requirements.
 - Due to our continuing product improvement, Roman Fountains reserves the right to change the specifications without notice.

DRAWING NO.
5.101