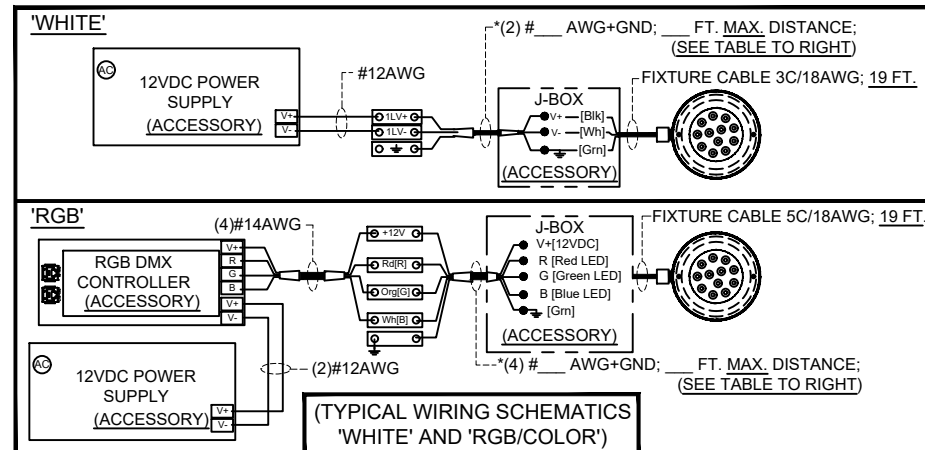


ELEVATION  
FLOOR OR WALL MOUNT EXAMPLES



## 12VDC

*MAXIMUM CABLE LENGTH FOR A SINGLE RUN						
LOAD AT 12VDC		MAXIMUM CABLE LENGTH TO THE LAST FIXTURE IN A CABLE RUN BY WIRE SIZE				
WATTS	AMPS	#14	#12	#10	#8	#6
25-30	2.0-2.5	35FT.	60FT.	100FT.	150FT.	
31-36	2.5-3.0	30FT.	50FT.	80FT.	125FT.	175FT.
37-42	3.0-3.5		45FT.	70FT.	100FT.	175FT.
43-55	3.5-4.6		35FT.	55FT.	80FT.	135FT.
56-75	4.7-6.3		25FT.	40FT.	60FT.	100FT.
76-100	6.4-8.3		20FT.	30FT.	50FT.	75FT.
101-112	8.4-9.3		15FT.	25FT.	40FT.	65FT.

TECHNICAL DATA							
MODEL NO.	LIGHT SOURCE	LIGHT COLOR	BEAM ANGLE	INPUT VOLTAGE	WATTS	CABLE TYPE	IP RATING
RFL-FM-LED-W	12X3W WHITE DIODES	COOL 'WHITE'	25 DEG.	12VDC	*36.0	18-3 AWG SJOW	68
RFL-FM-LED-RGB	12X3W RGB DIODES	'RGB'	25 DEG.	12VDC	*36.0	18-5 AWG SJOW	68

\*NOTE: THIS FIGURE REPRESENTS THE MAXIMUM POSSIBLE LOAD FOR THIS FIXTURE.

**SPECIFICATION DATA:** Very low profile, non-adjustable LED submersible light fixture with concrete forming sleeve for flush-to-floor or wall installation; high output LED diodes, stainless steel housing and fasteners, tempered glass lens, silicone lens gasket, chromed brass cord entrance fitting; 19 ft. of 18 AWG SJOW cable; (not available with additional cord length).

**DESIGN/APPLICATION DATA:** Any fountain application where a flush mount installation is required, floor or wall, with high output LED submersible light fixture.

- NOTES:**
1. 12VDC Power supply required to operate fixtures. Contact factory for requirements.
  2. 'DMX' Controller required to operate 'RGB' fixtures in programmable mode. Contact factory for requirements.
  3. Due to our continuing product improvement, Roman Fountains reserves the right to change the specifications without notice.