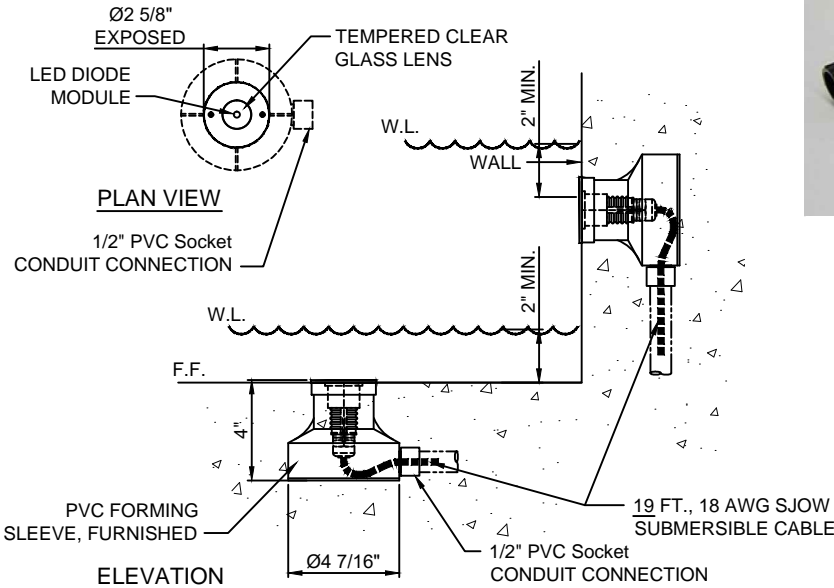




RFL-SFM-LED, FLUSH MOUNT 'MINI' LED SUBMERSIBLE LIGHT FIXTURE

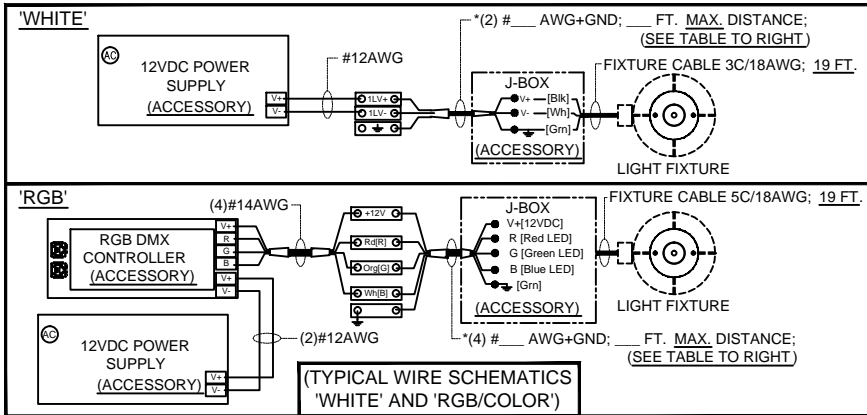
(877) 794-1802



LIGHT FIXTURES AVAILABLE WITH 'WHITE' OR 'RGB' LEDS

LED 12VDC

EXAMPLES OF FLOOR OR WALL MOUNTING



*MAXIMUM CABLE LENGTH FOR A SINGLE RUN						
LOAD AT 12VDC	MAXIMUM CABLE LENGTH TO THE LAST FIXTURE IN A CABLE RUN BY WIRE SIZE					
WATTS	AMPS	#14	#12	#10	#8	#6
25-30	2.0-2.5	35FT.	60FT.	100FT.	150FT.	
31-36	2.5-3.0	30FT.	50FT.	80FT.	125FT.	175FT.
37-42	3.0-3.5		45FT.	70FT.	100FT.	175FT.
43-55	3.5-4.6		35FT.	55FT.	80FT.	135FT.
56-75	4.7-6.3		25FT.	40FT.	60FT.	100FT.
76-100	6.4-8.3		20FT.	30FT.	50FT.	75FT.
101-112	8.4-9.3		15FT.	25FT.	40FT.	65FT.

TECHNICAL DATA

MODEL NO.	LIGHT SOURCE	LIGHT COLOR	BEAM ANGLE	INPUT VOLTAGE	WATTS	CABLE TYPE	IP RATING
RFL-SFM-LED-W	(1) 3W WHITE DIODE	COOL "WHITE"	25 DEG.	12VDC	*3.0	18-3 AWG SJOW	68
RFL-SFM-LED-RGB	(1) 3W RGB DIODE	"RGB"	25 DEG.	12VDC	*3.0	18-5 AWG SJOW	68

*NOTE: THIS FIGURE REPRESENTS THE MAXIMUM POSSIBLE LOAD FOR THIS FIXTURE.

SPECIFICATION DATA: Very low profile, non-adjustable LED submersible light fixture with PVC concrete forming sleeve for flush-to-floor or wall installation; single 3 watt LED diode module; stainless steel housing and fasteners, tempered clear glass lens, silicone lens gasket, chromed brass cord entrance fitting; 19 FT. of 18 AWG SJOW cable.

DESIGN/APPLICATION DATA: Any fountain application where a flush mount installation is required, floor or wall, with compact submersible light fixture.

- NOTES:**
- 12VDC Power supply required to operate fixtures. Contact factory for requirements.
 - 'DMX' Controller required to operate 'RGB' fixtures in programmable mode. Contact factory for requirements.
 - Due to our continuing product improvement, Roman Fountains reserves the right to change the specifications without notice.

DRAWING NO.
5.108