



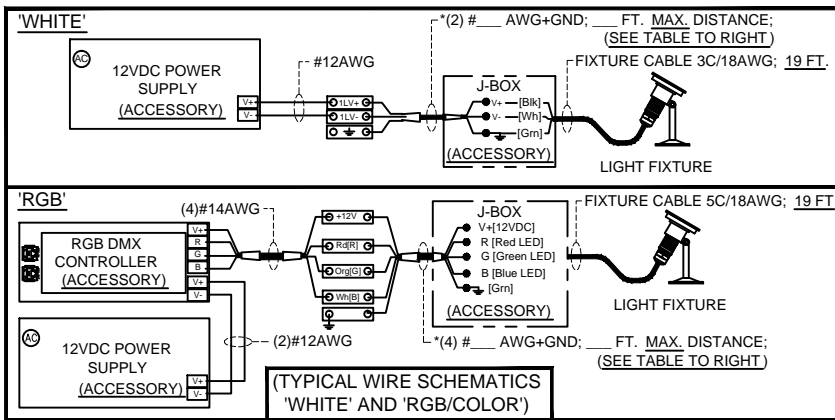
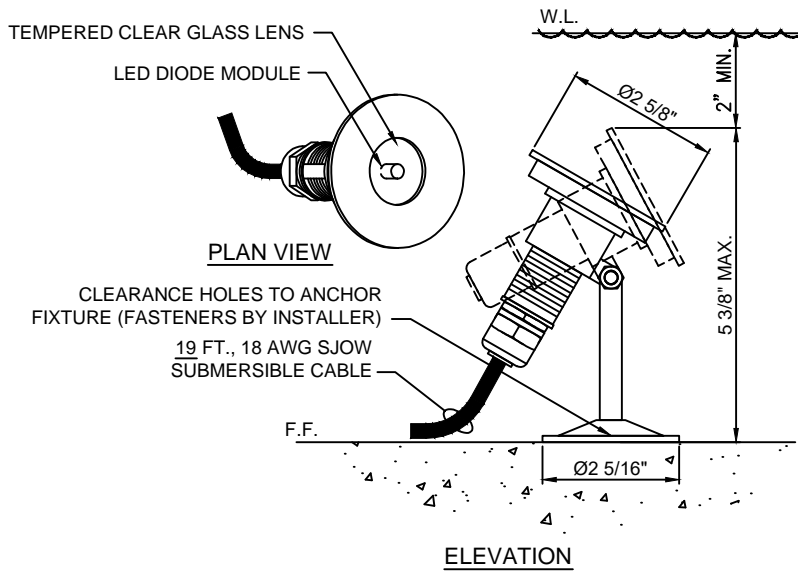
RFL-SFS-LED FREESTANDING "MINI" LED SUBMERSIBLE LIGHT FIXTURE

(877) 794-1802



LIGHT FIXTURES AVAILABLE
WITH 'WHITE' OR 'RGB' LEDS

LED 12VDC



*MAXIMUM CABLE LENGTH FOR A SINGLE RUN					
LOAD AT 12VDC	MAXIMUM CABLE LENGTH TO THE LAST FIXTURE IN A CABLE RUN BY WIRE SIZE				
	#14	#12	#10	#8	#6
25-30	2.0-2.5	35FT.	60FT.	100FT.	150FT.
31-36	2.5-3.0	30FT.	50FT.	80FT.	125FT.
37-42	3.0-3.5		45FT.	70FT.	100FT.
43-55	3.5-4.6		35FT.	55FT.	80FT.
56-75	4.7-6.3		25FT.	40FT.	60FT.
76-100	6.4-8.3		20FT.	30FT.	50FT.
101-112	8.4-9.3		15FT.	25FT.	40FT.

TECHNICAL DATA							
MODEL NO.	LIGHT SOURCE	LIGHT COLOR	BEAM ANGLE	INPUT VOLTAGE	WATTS	CABLE TYPE	IP RATING
RFL-SFS-LED-W	(1) 3W WHITE DIODE	COOL "WHITE"	25 DEG.	12VDC	*3.0	18-3 AWG SJOW	68
RFL-SFS-LED-RGB	(1) 3W RGB DIODE	"RGB"	25 DEG.	12VDC	*3.0	18-5 AWG SJOW	68

*NOTE: THIS FIGURE REPRESENTS THE MAXIMUM POSSIBLE LOAD FOR THIS FIXTURE.

SPECIFICATION DATA: Freestanding, fully adjustable LED submersible light fixture for floor mounting. Compact stainless steel construction, fixture base with two openings for Installer provided anchors and fasteners, clear tempered glass lens, silicone lens gasket, chromed brass cord entrance fitting; 19 FT. of 18 AWG SJOW cable.

DESIGN/APPLICATION DATA: Any fountain application requiring a compact, adjustable freestanding LED submersible light fixture.

- NOTES:**
- 12VDC Power supply required to operate fixtures. Contact factory for requirements.
 - 'DMX' Controller required to operate 'RGB' fixtures in programmable mode. Contact factory for requirements.
 - Due to our continuing product improvement, Roman Fountains reserves the right to change the specifications without notice.

DRAWING NO.
5.109